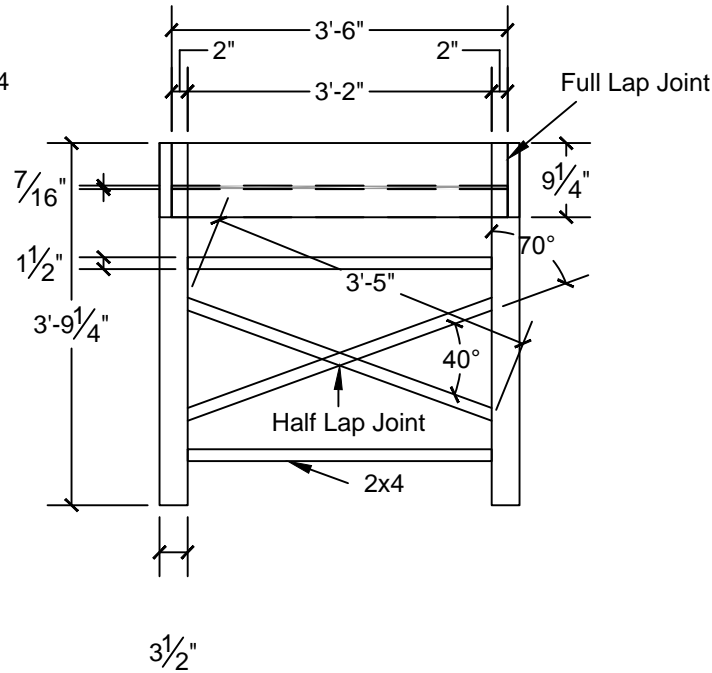
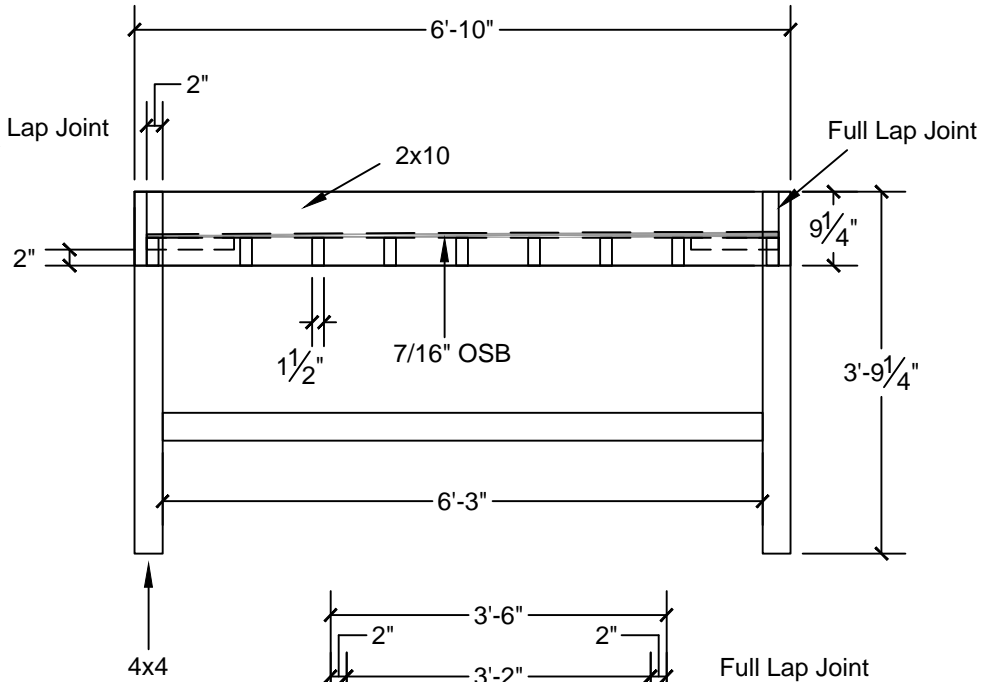


- 2x4: 8 qty 8' boards
- 2x10: 3 qty 8' Boards
- 4x4: 2 qty 8' boards
- 7/16" OSB: 1 qty 4'x8' sheet



1

Loft Bed Design

Scale: 1/2" = 1' - 0"

SHEET TITLE

LOFT BED DESIGN INCLUDING DIMENSIONS

GRANT KIESER

5/11/2015

REVISION NUMBER 4

SHEET NO:

B-1