

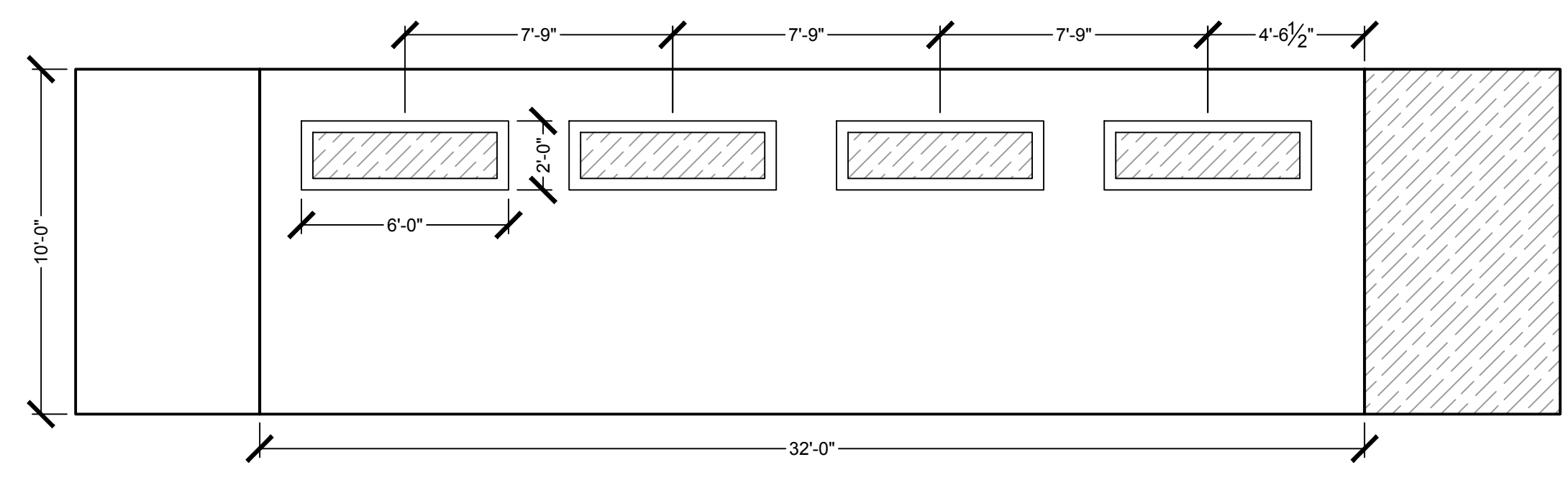
REV.	DATE	BY

PROJECT INFORMATION
PAC COFFEE SHOP FLOOR PLAN
FINAL PROJECT

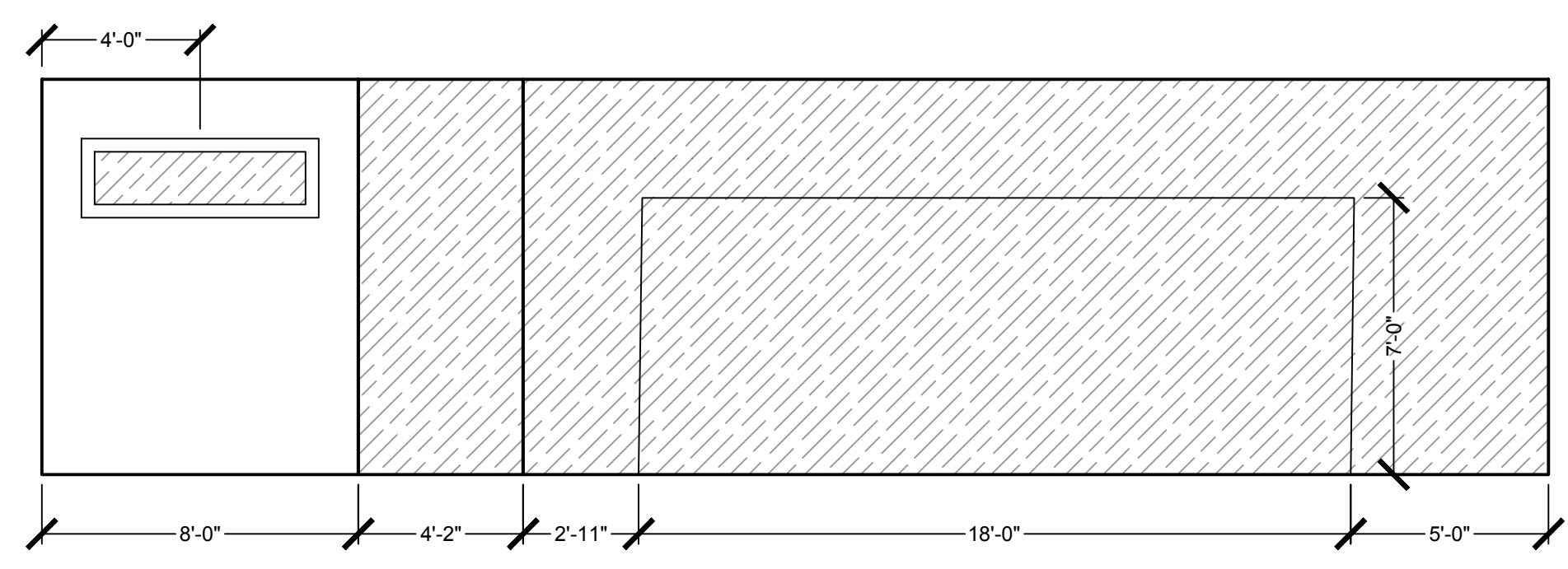
GRANT KIESER
 ARCH 200 - PRINCIPLES OF ARCH. DESIGN
 WINTER 2016 - PORTLAND COMM. COLLEGE

DATE: 3/5/2016
 SCALE: 1/4" = 1'-0"
 JOB NO:

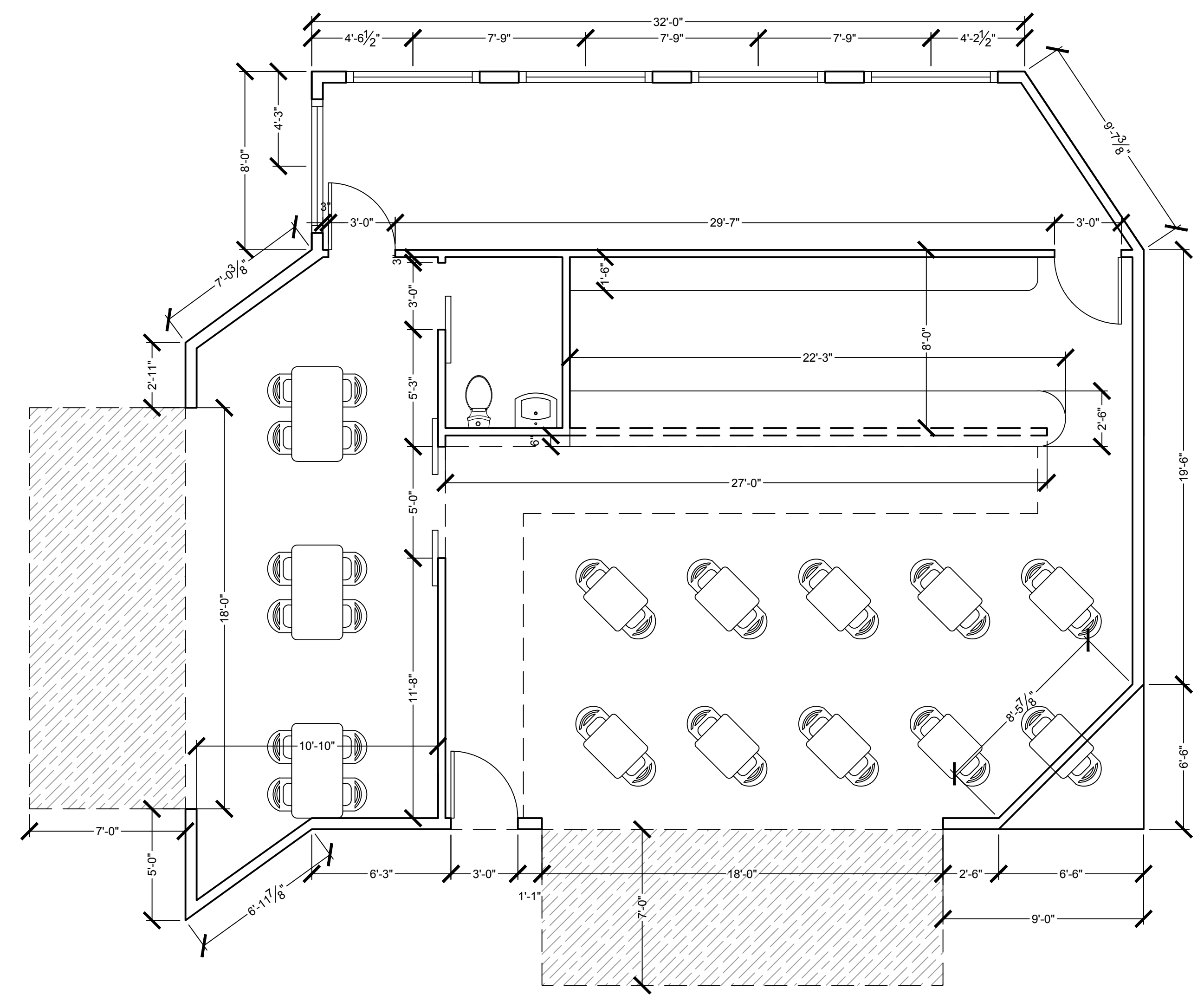
SHEET NO:
A-1



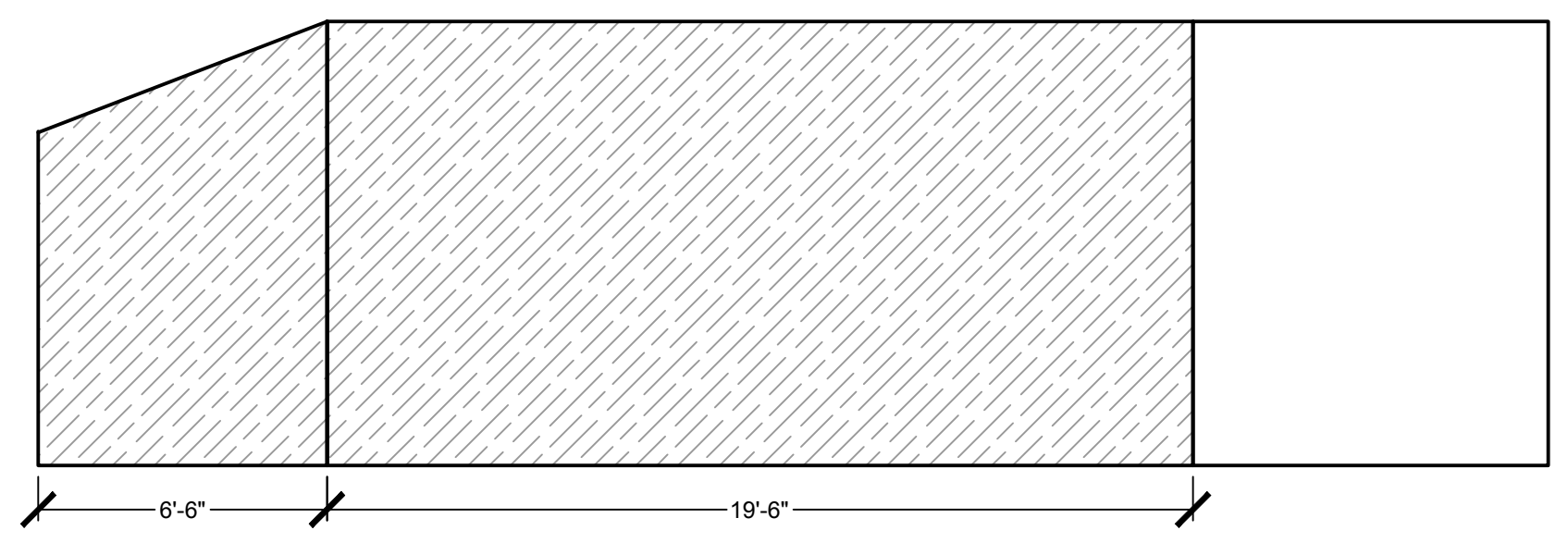
2 SOUTHEAST EXTERIOR ELEVATION
 Scale: 1/4"=1'-0"



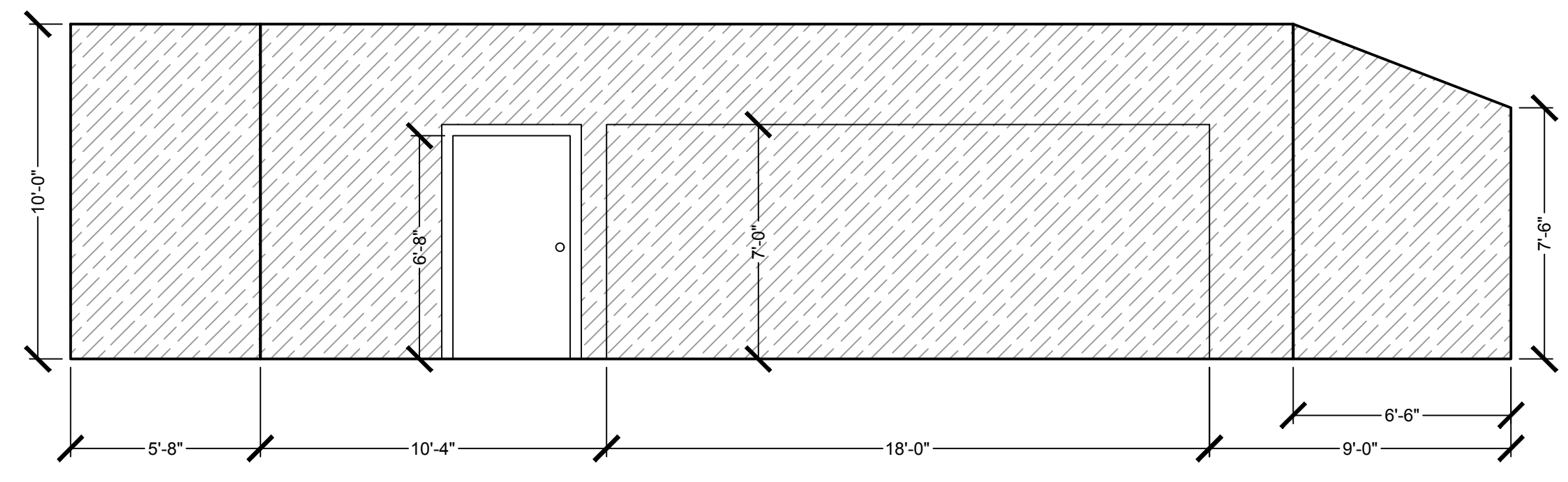
3 SOUTHWEST EXTERIOR ELEVATION
 Scale: 1/4"=1'-0"



1 FLOOR PLAN
 Scale: 1/4"=1'-0"



4 NORTHWEST EXTERIOR ELEVATION
 Scale: 1/4"=1'-0"



5 NORTHEAST EXTERIOR ELEVATION
 Scale: 1/4"=1'-0"