

**1** LOWER FLOOR PLAN  
Scale: 1/4"=1'-0"

Grant Kieser  
ID 236 Lighting Design  
Fall 2015 - PCC

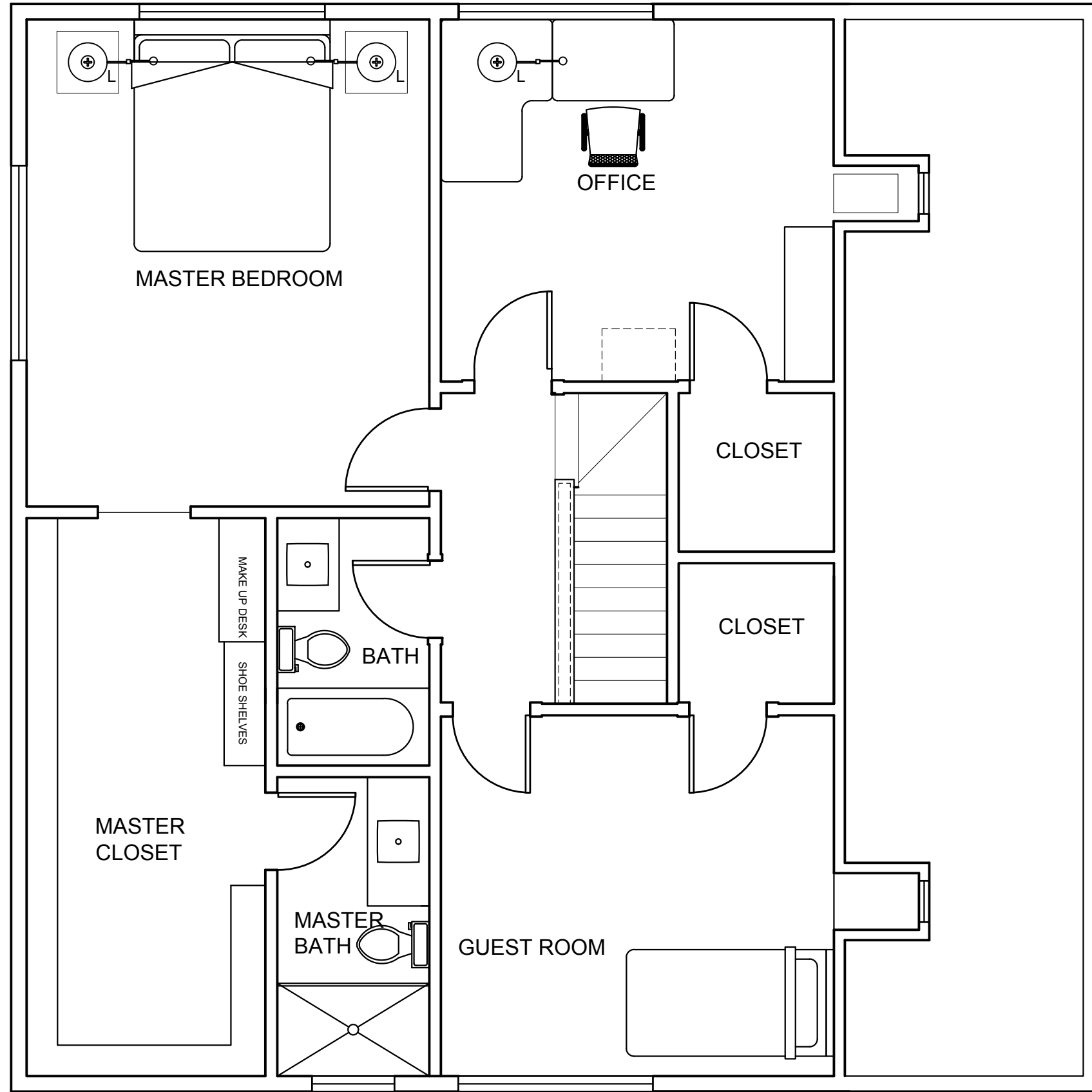
LOWER FLOOR PLAN  
1/4"=1'-0"

DRAWN BY:

SHEET #:

1 of 6

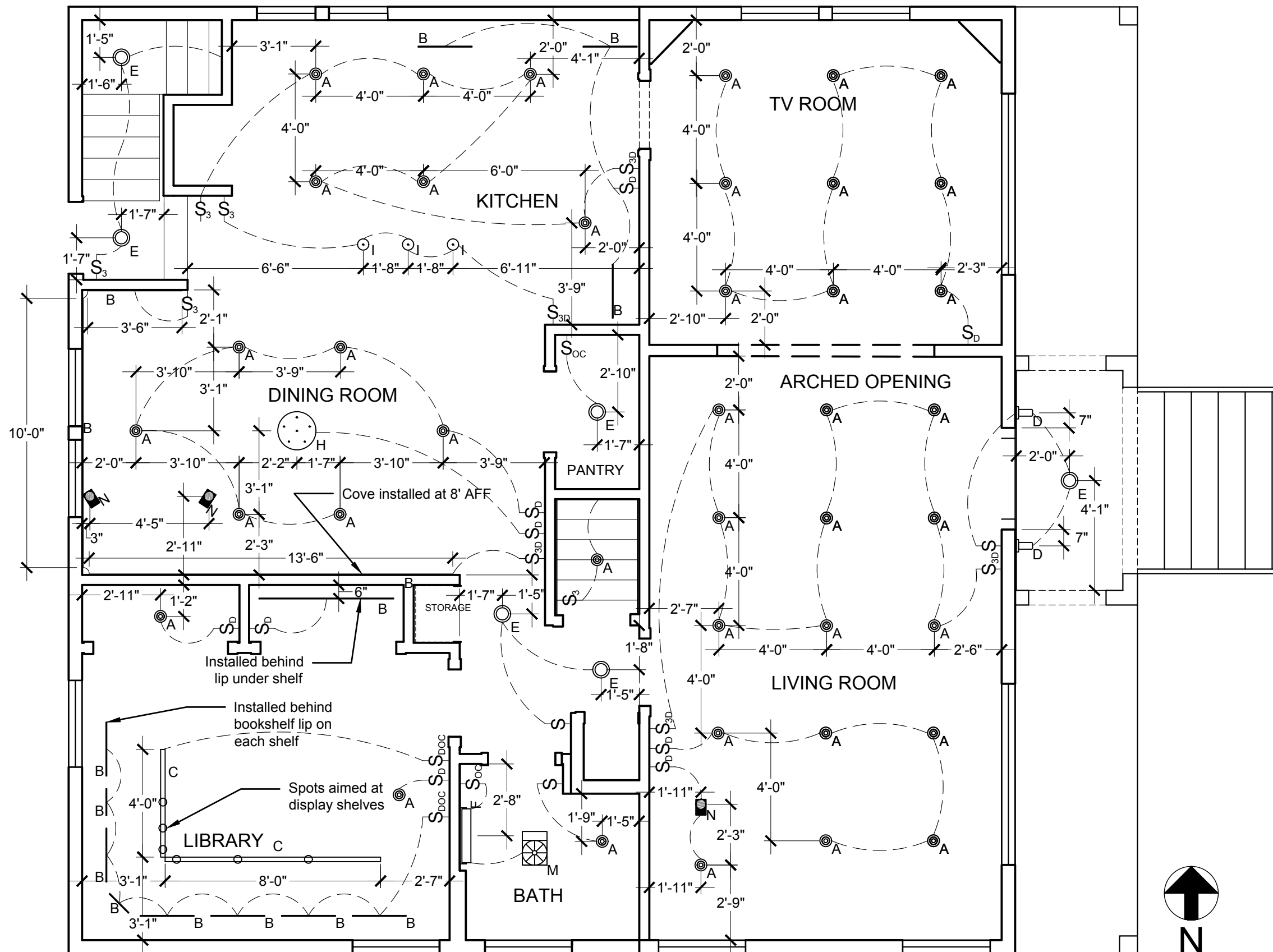
DATE:  
12/8/2015



2 UPPER FLOOR PLAN  
Scale: 1/4"=1'-0"



Grant Kieser ID 236 Lighting Design Fall 2015 - PCC
UPPER FLOOR PLAN <hr style="width: 50%; margin: 0 auto;"/> 1/4"=1'-0"
DRAWN BY:
SHEET #: <div style="text-align: center; font-size: 24pt; font-weight: bold;">2 of 6</div>
DATE: 12/8/2015



**1** LOWER FLOOR RCP  
 Scale: 1/4"=1'-0"

Grant Kieser  
 ID 236 Lighting Design  
 Fall 2015 - PCC

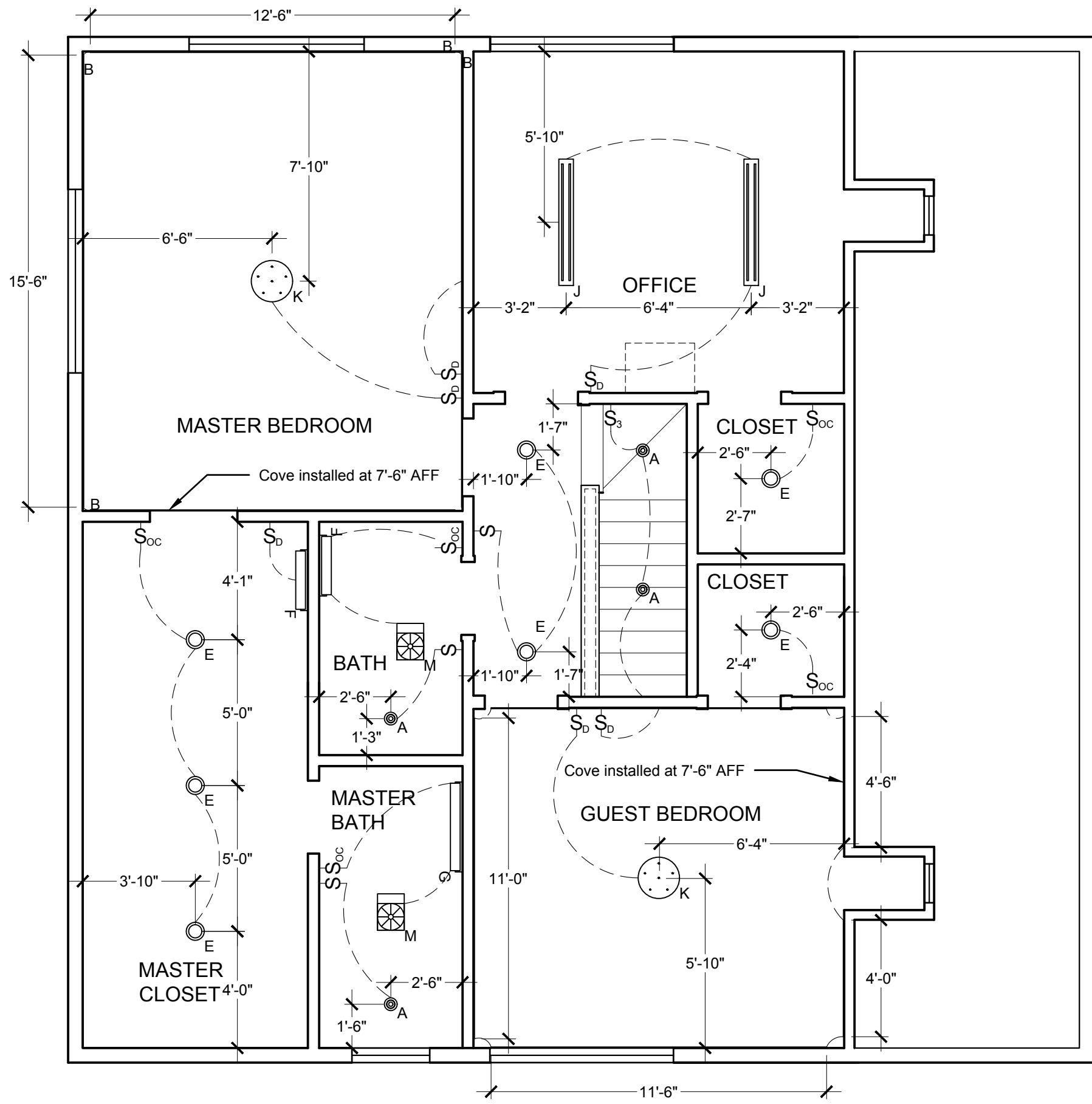
**LOWER FLOOR  
 REFLECTED CLG.PLAN**  
 1/4"=1'-0"

DRAWN BY:

SHEET #:

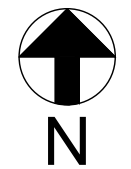
3 of 6

DATE:  
 12/8/2015



ELECTRICAL SYMBOLS	
\$	SWITCH
\$ <sub>3</sub>	3-WAY
\$ <sub>D</sub>	DIMMER
\$ <sub>3D</sub>	3-WAY DIMMER
\$ <sub>OC</sub>	OCCUPANCY SENSOR
\$ <sub>DOC</sub>	DIMMED OCCUPANCY SENSOR

- | GENERAL NOTES |  |
|---------------|--|
| •             | Ceiling heights 9'-0" unless otherwise noted |
| •             | All ceilings gypsum wallboard                |
| •             | All dims to center of fixtures               |



**2** UPPER FLOOR RCP  
Scale: 1/4"=1'-0"

Grant Kieser  
ID 236 Lighting Design  
Fall 2015 - PCC

UPPER FLOOR PLAN  
REVERSED CLG. PLAN  
1/4"=1'-0"

DRAWN BY:

SHEET #:

4 of 6

DATE:  
12/8/2015

# FIXTURE SCHEDULE

Symbol	Tag	Voltage	Lamps	Manufacturer	SKU	Finish	Notes
	A	120VAC	Integrated	WAC Lighting	R3LEDT118PF930BWT	Black/White	Requires HR-3LED-H18D-ICA housing
	B	120VAC	Integrated	WAC Lighting	LED-TE2430-1-40-WT	N/A	Requires EN-2460-RB2-T AC Adapter
	C	120VAC	Integrated	WAC Lighting	J-LED610S-WW-WT	White	Installed on JT8-WT or JT4-WT Track
	D	120VAC	Integrated	WAC Lighting	WS-W5817-GH	Graphite	
	E	120VAC	Integrated	WAC Lighting	FM-306-930-WT	White	
	F	120VAC	Integrated	WAC Lighting	WS-6724-30-AL	Brushed Aluminum	
	G	120VAC	Integrated	WAC Lighting	WS-6736-30-AL	Brushed Aluminum	
	H	120VAC	Integrated	WAC Lighting	QP-LED524-XX/BN	Amber (2x) Blue (3x) White (1x)	Installed on QMP-G6RN MR pendant base
	I	120VAC	Integrated	WAC Lighting	QP-LED538-IR/BN	Iridescent	Installed on QMP-G1RN MR pendant base
	J	120VAC	2x 48" T5 Fluorescent	Cooper Industries	RB-WP-D-2N5-1D-120-SU		
	K	120VAC	Integrated	WAC Lighting	QP-LED512-XX/BN	Amber (3x) Blue (3x)	Installed on QMP-G6RN MR pendant base
	L	120VAC	Integrated	IKEA	602.806.82	White/Wood	
	M	120VAC	N/A	Panasonic	FV-15VQ5	White	Bathroom Exhaust fan
	N	120VAC	Integrated	WAC Lighting	MO-LED25S-30-WT	White	

Grant Kieser  
 ID 236 Lighting Design  
 Fall 2015 - PCC

## FIXTURE SCHEDULE

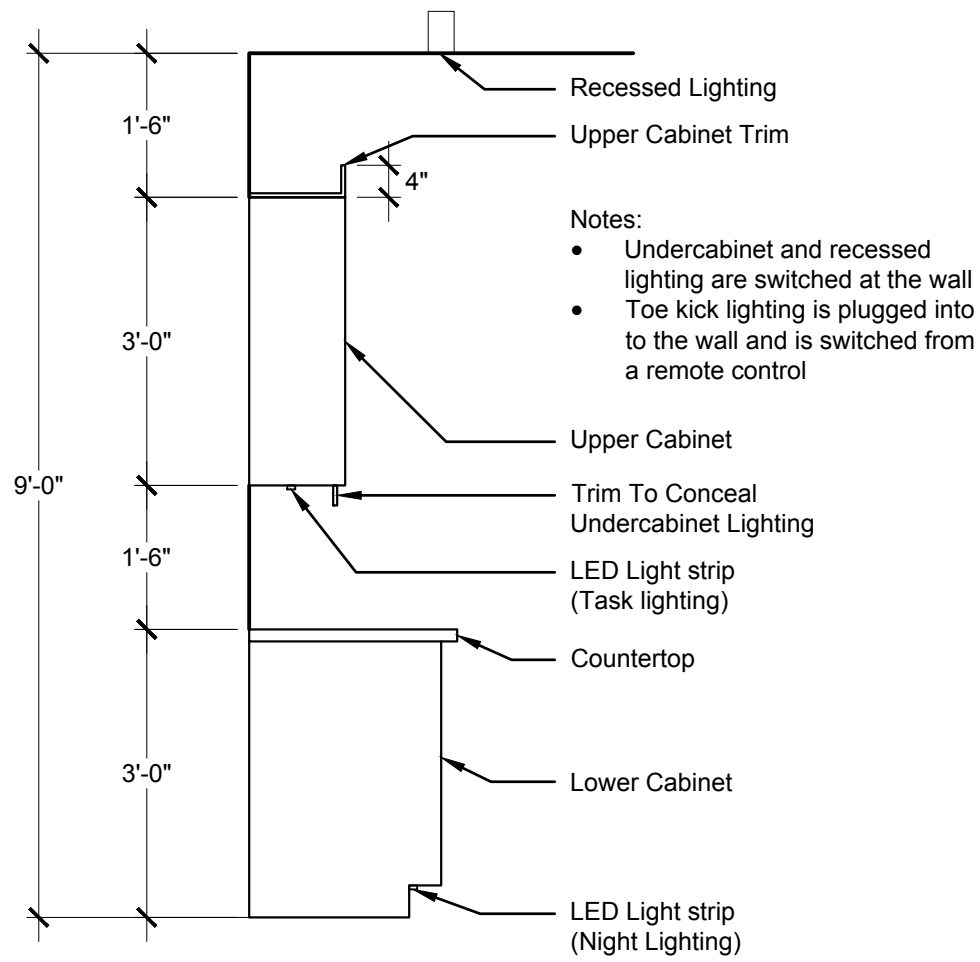
DRAWN BY:

SHEET #:

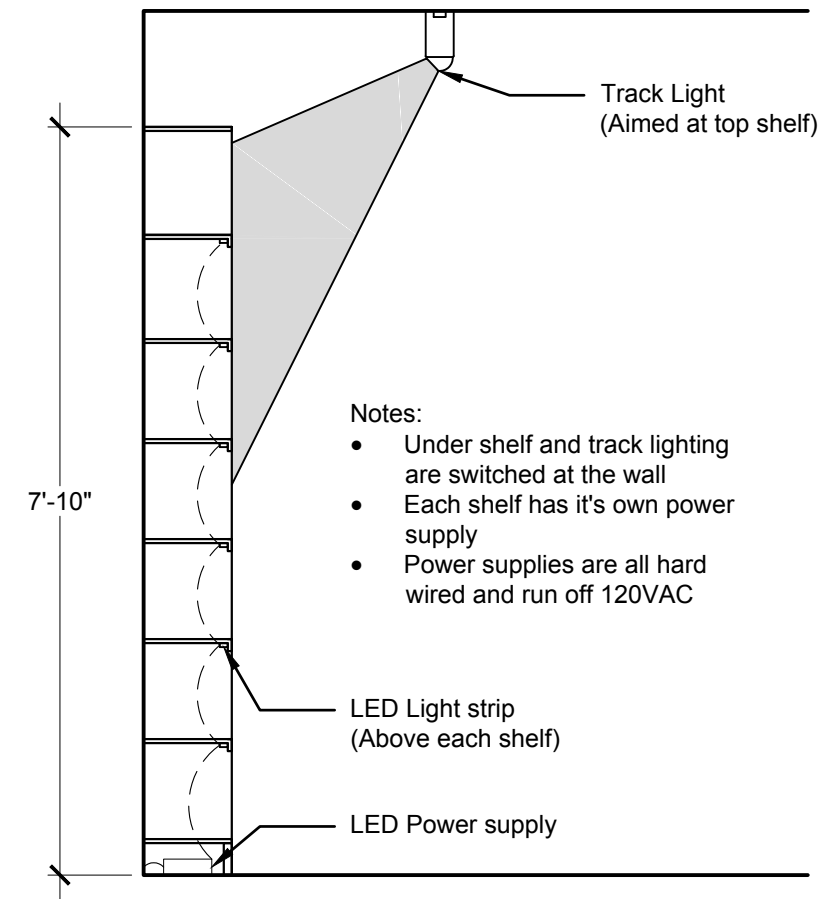
5 of 6

DATE:

12/8/2015



**3** KITCHEN CABINET DETAIL  
Scale: 1/2" = 1'-0"



**4** BOOKSHELF DETAIL  
Scale: 1/2" = 1'-0"

Grant Kieser  
 ID 236 Lighting Design  
 Fall 2015 - PCC

---

CASEWORK  
 LIGHTING DETAIL  
 1/2" = 1'-0"

---

DRAWN BY:

---

SHEET #:

**6 of 6**

---

DATE:

12/8/2015