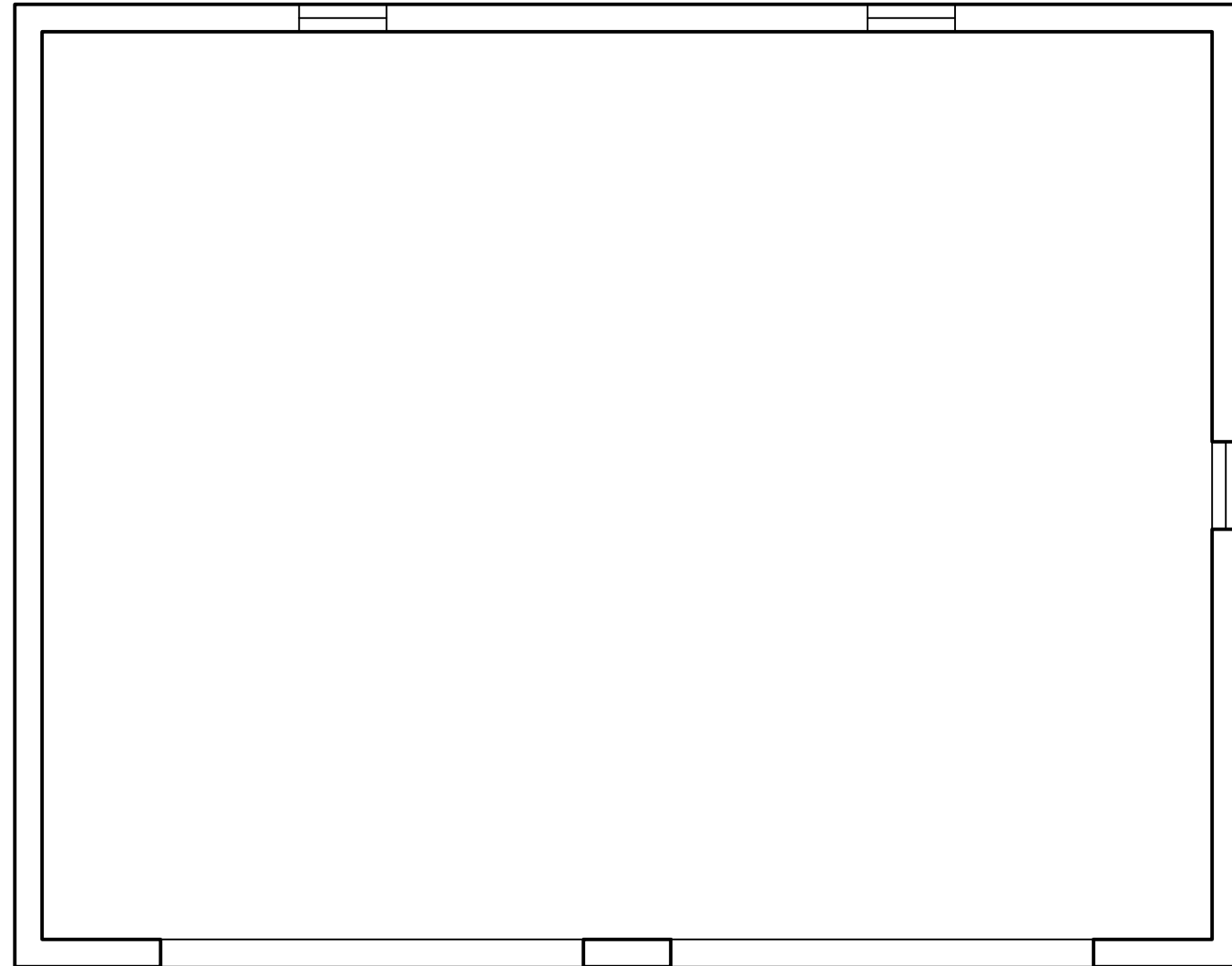


SHEET TITLE  
**AS BUILT  
PROJECT 1**

GRANT KIESER  
ID 133 - SPACE PLANNING  
2017-02-12 - PCC

SHEET NO:

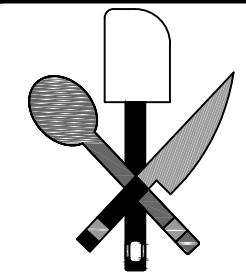
**A-1**



**1**

**FIRST FLOOR AS BUILT**

Scale: 1/4"=1'-0"

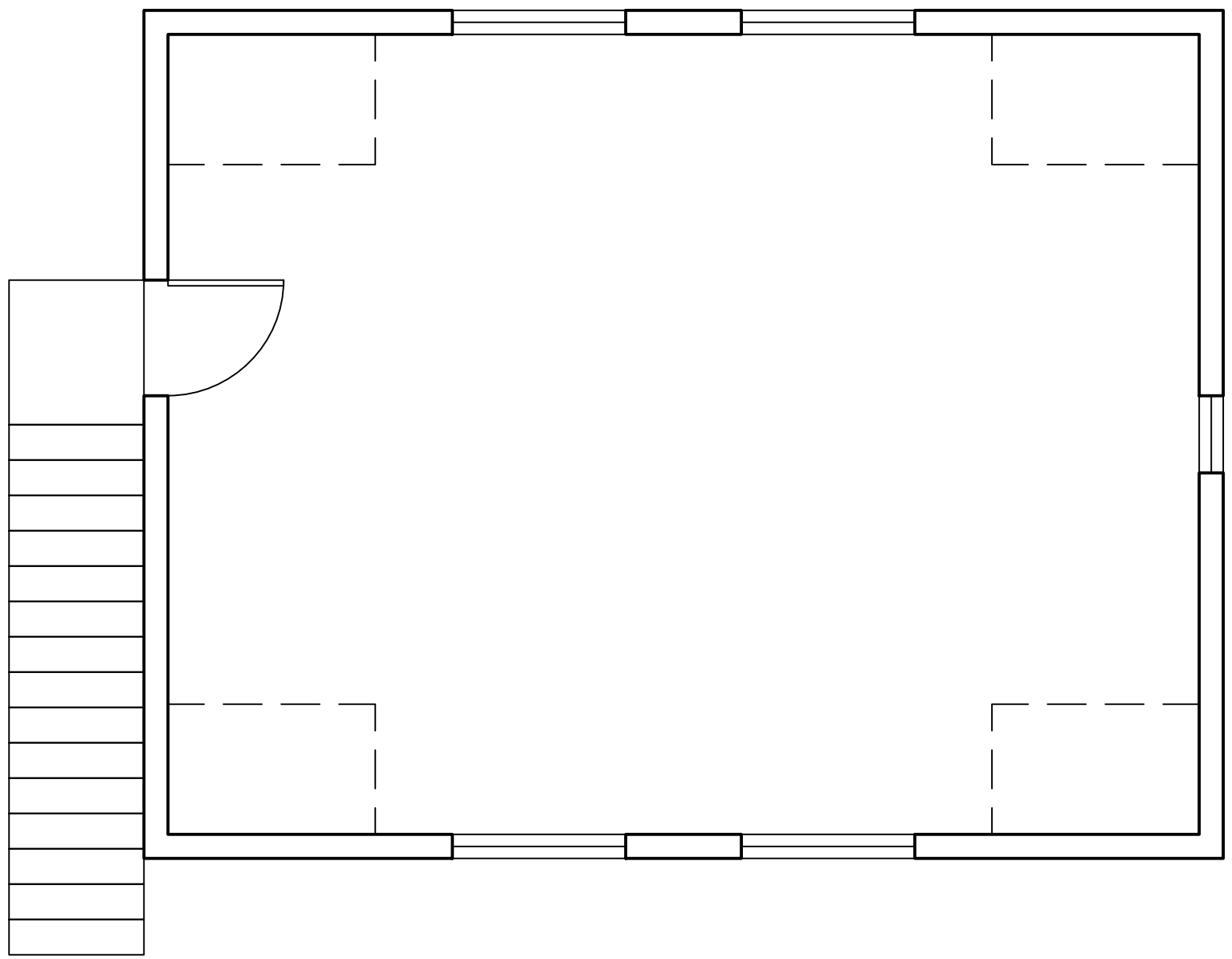


SHEET TITLE  
**AS BUILT  
PROJECT 1**

GRANT KIESER  
ID 133 - SPACE PLANNING  
2017-02-12 - PCC

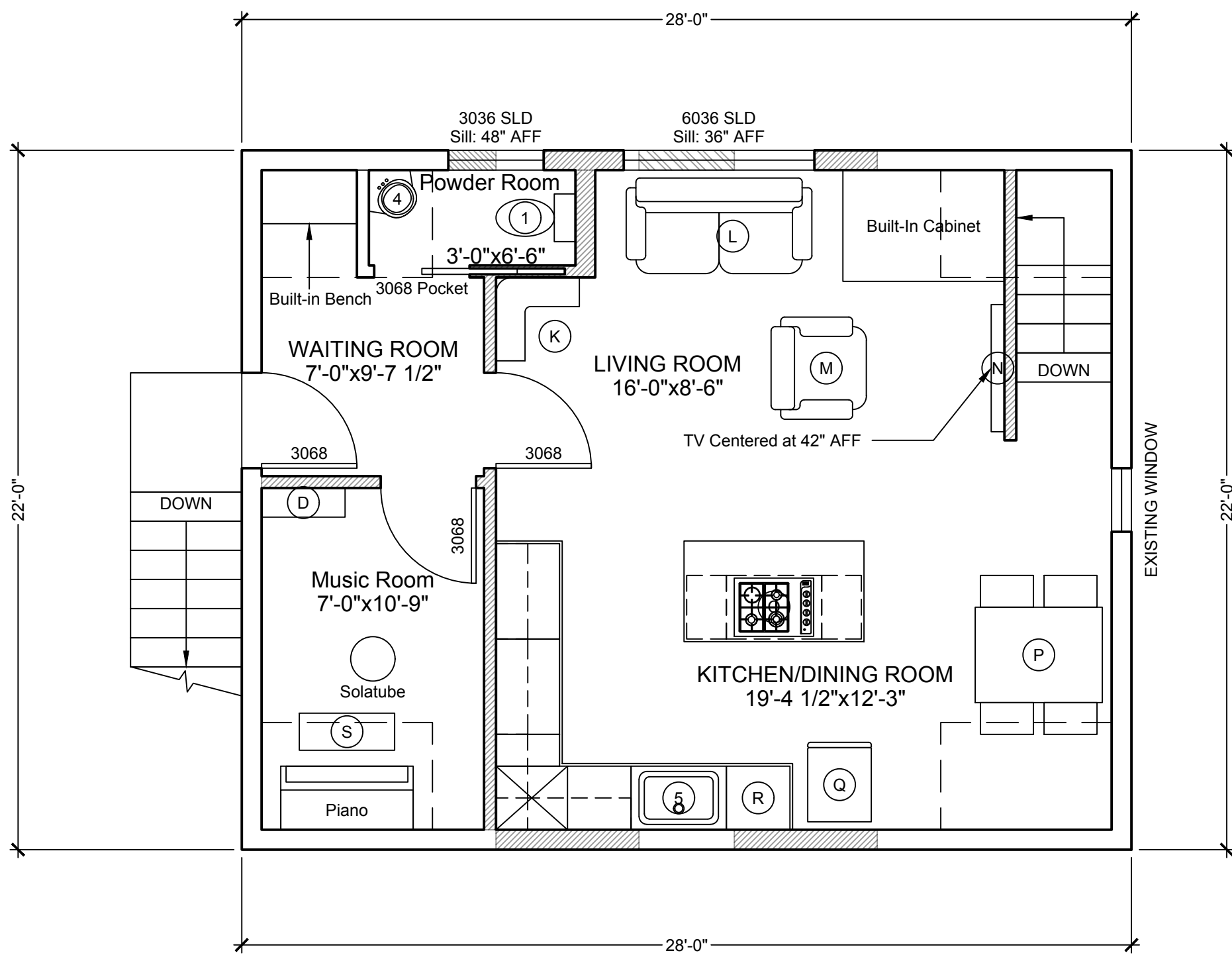
SHEET NO:

**A-2**

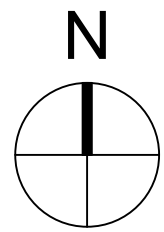


**2** SECOND FLOOR AS BUILT  
Scale: 1/4"=1'-0"

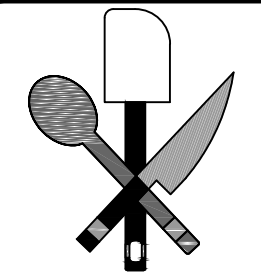




FURNITURE/APPLIANCE SCHEDULE	
(K)	BOOKSHELF - CUSTOM
(L)	LOVESEAT - EKTORP, IKEA
(M)	CHAIR - EKTORP, IKEA
(N)	4K TV, 55" - SAMSUNG
(O)	RANGE - FRIGIDAIRE
(P)	DINING TABLE - CUSTOM
(Q)	REFRIGERATOR - FRIGIDAIRE
(R)	DISHWASHER - FRIGIDAIRE
(S)	PIANO - CLIENT'S
PLUMBING FIXTURE SCHEDULE	
(1)	TOILET - TOTO
(2)	SINK - AMERICAN STANDARD
(3)	KITCHEN SINK - BLANCO
CONSTRUCTION KEY	
	DEMOLISH EXISTING WALL
	CONSTRUCT NEW WALL



**4 SECOND FLOOR PLAN**  
Scale: 1/4"=1'-0"

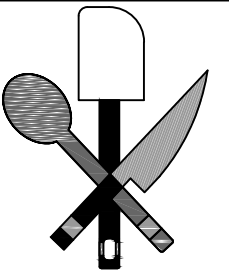


SHEET TITLE

# SECOND FLOOR PLAN PROJECT 1

GRANT KIESER  
ID 133 - SPACE PLANNING  
2017-02-12 - PCC

SHEET NO:  
**A-4**

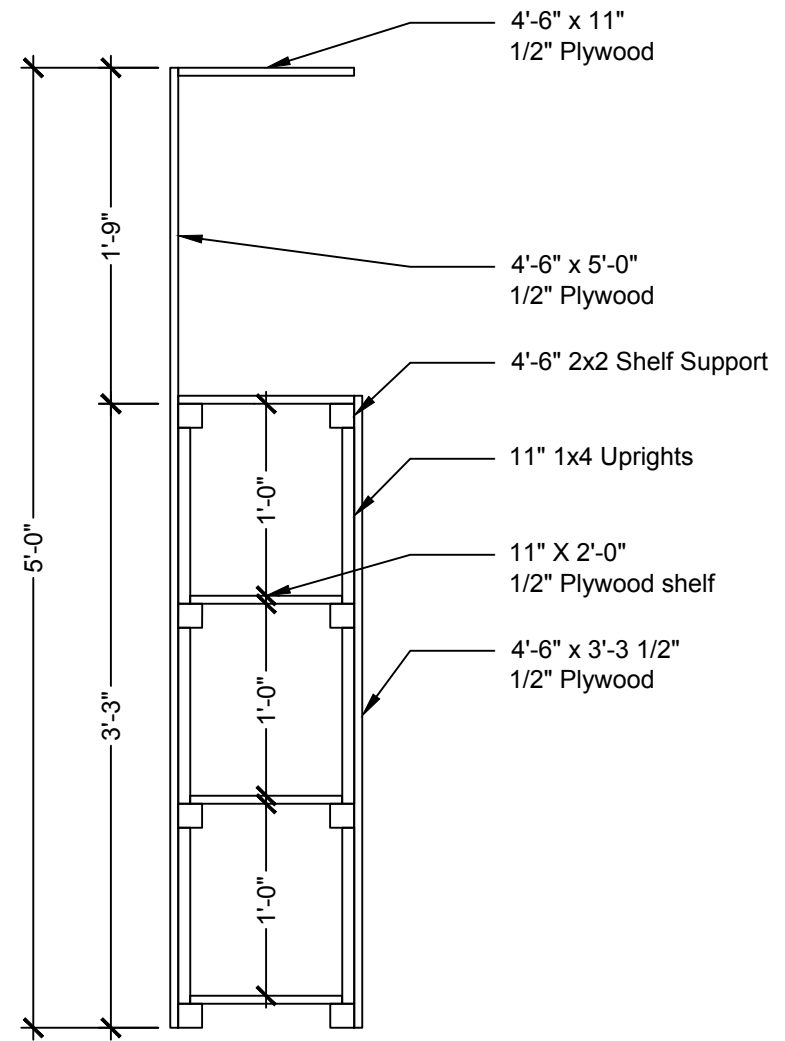
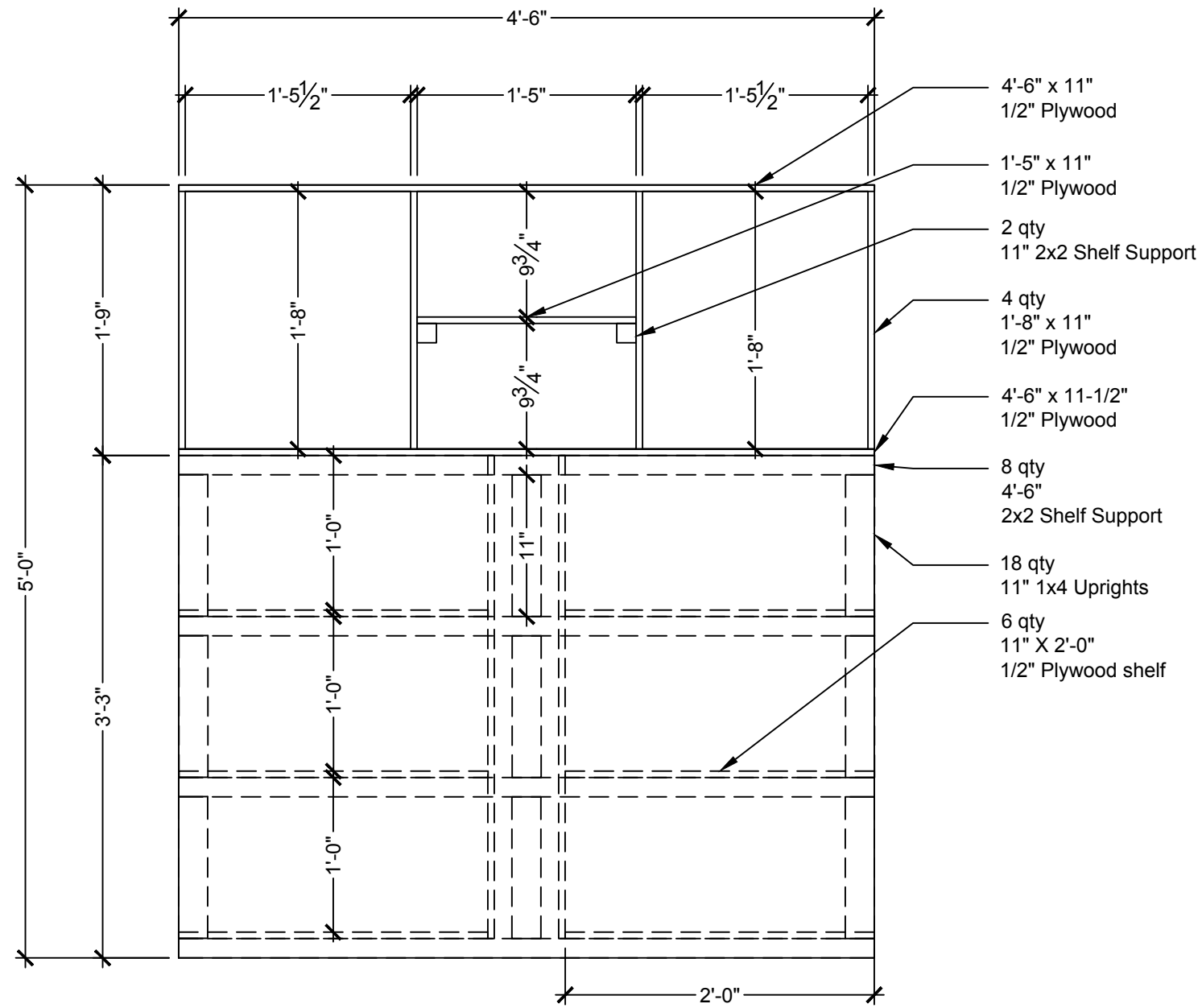


SHEET TITLE  
**HEADBOARD DETAIL**  
**PROJECT 1**

GRANT KIESER  
ID 133 - SPACE PLANNING  
2017-02-12 - PCC

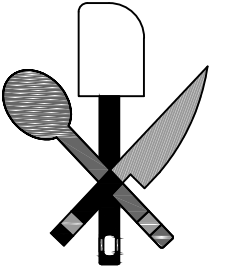
SHEET NO:

**I-1**



**4** FRONT VIEW  
Scale: 1"=1'-0"

**5** SIDE VIEW  
Scale: 1"=1'-0"



SHEET TITLE  
**CABINET DETAIL**  
**PROJECT 1**

GRANT KIESER  
ID 133 - SPACE PLANNING  
2017-02-12 - PCC

SHEET NO:  
**I-2**

6

**BUILT-IN CABINET DETAIL**

Scale: 1"=1'-0"

