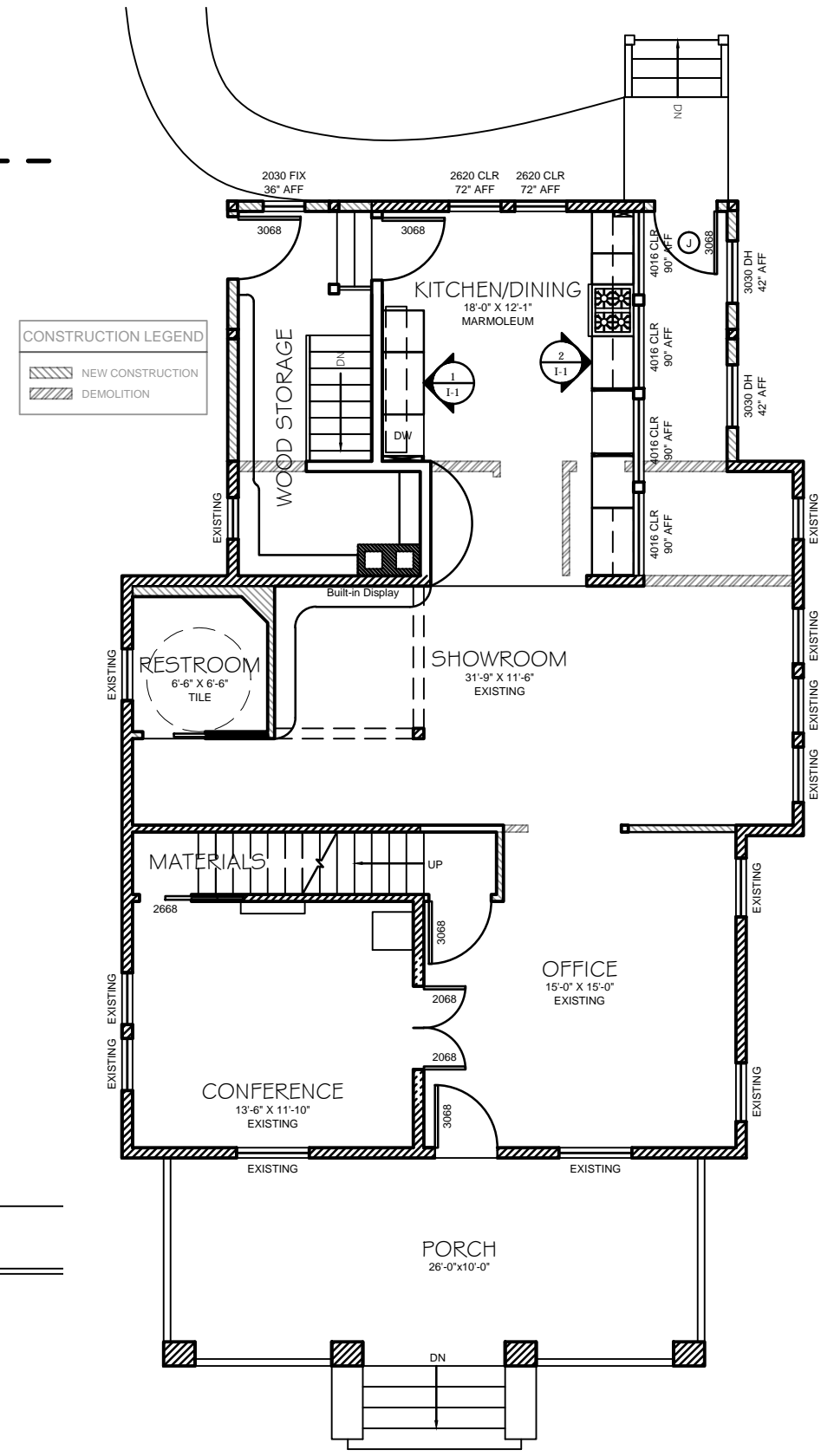
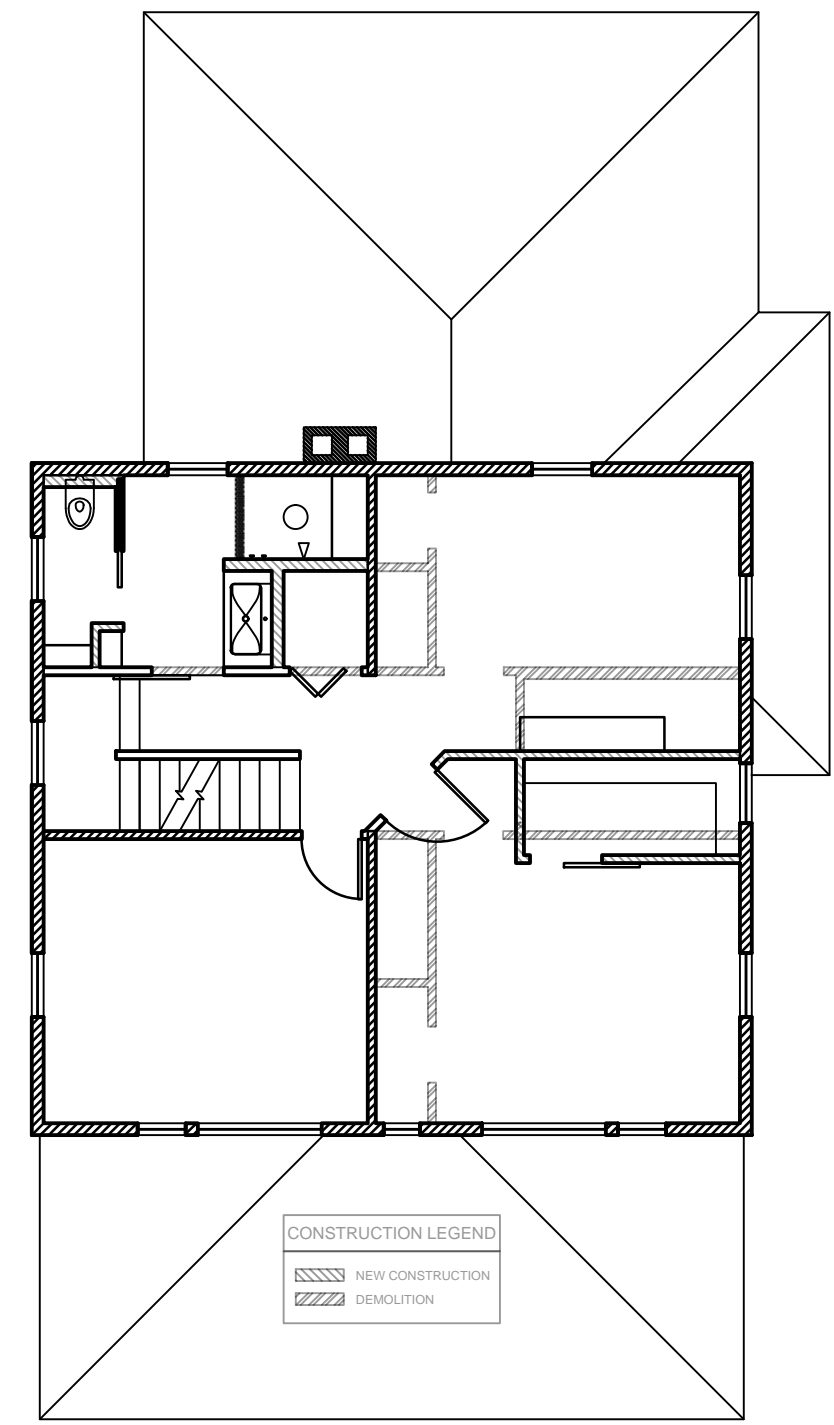


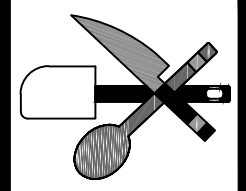
1 SITE PLAN  
Scale: 1/16" = 1'-0"



2 FIRST FLOOR CONSTRUCTION AND DEMO.  
Scale: 1/8" = 1'-0"



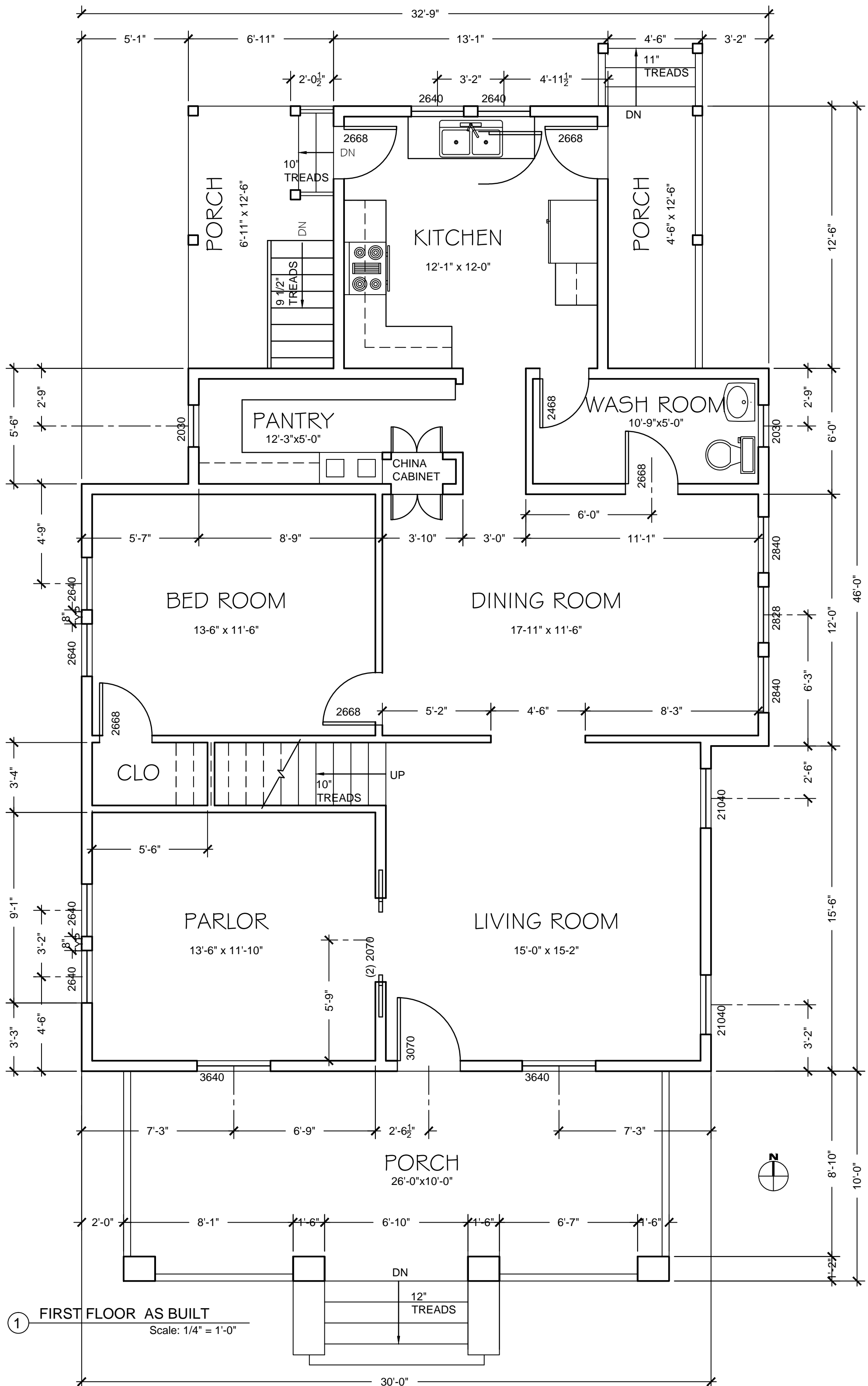
3 SECOND FLOOR CONSTRUCTION AND DEMO.  
Scale: 1/8" = 1'-0"



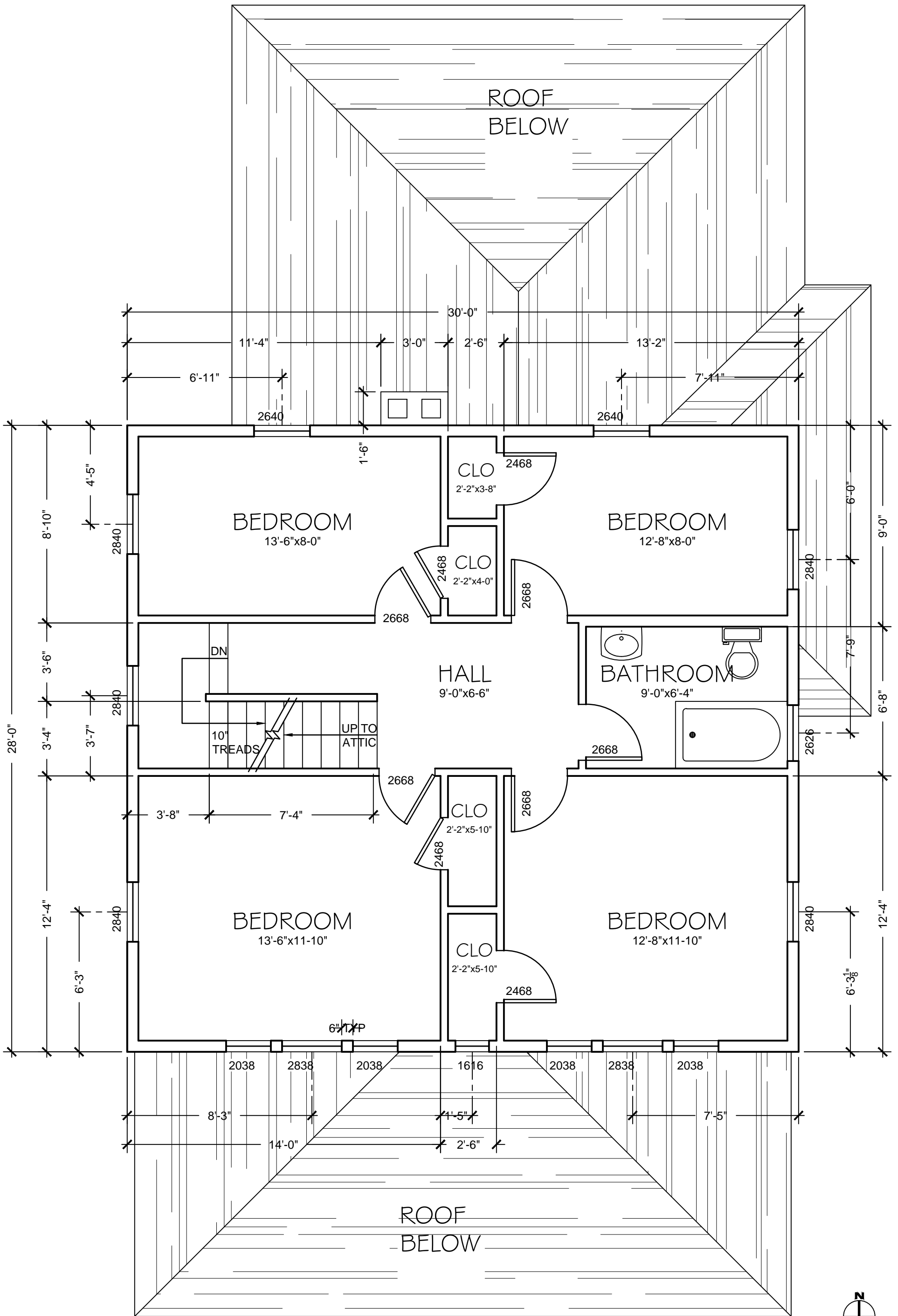
SHEET TITLE  
SITE, CONST. AND DEMO. PLAN  
1923 NE BROADWAY

GRANT KIESER  
ID 133 - SPACE PLANNING  
03/18/17 - FINAL PROJECT

SHEET #:  
**A-1**

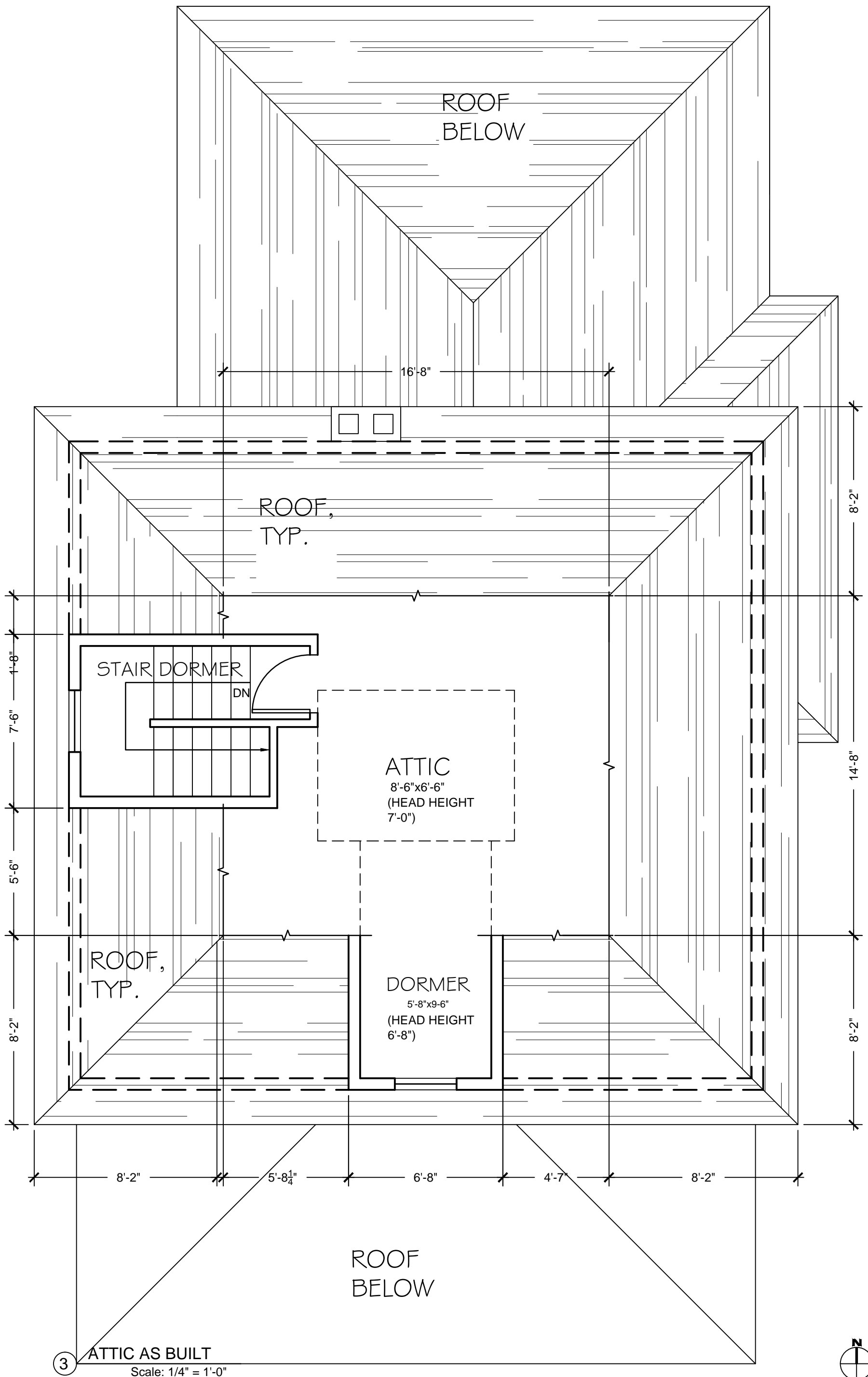


① FIRST FLOOR AS BUILT  
Scale: 1/4" = 1'-0"



② SECOND FLOOR AS BUILT  
Scale: 1/4" = 1'-0"





3 ATTIC AS BUILT  
Scale: 1/4" = 1'-0"



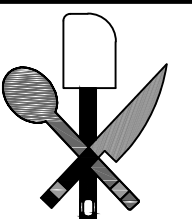
A-4

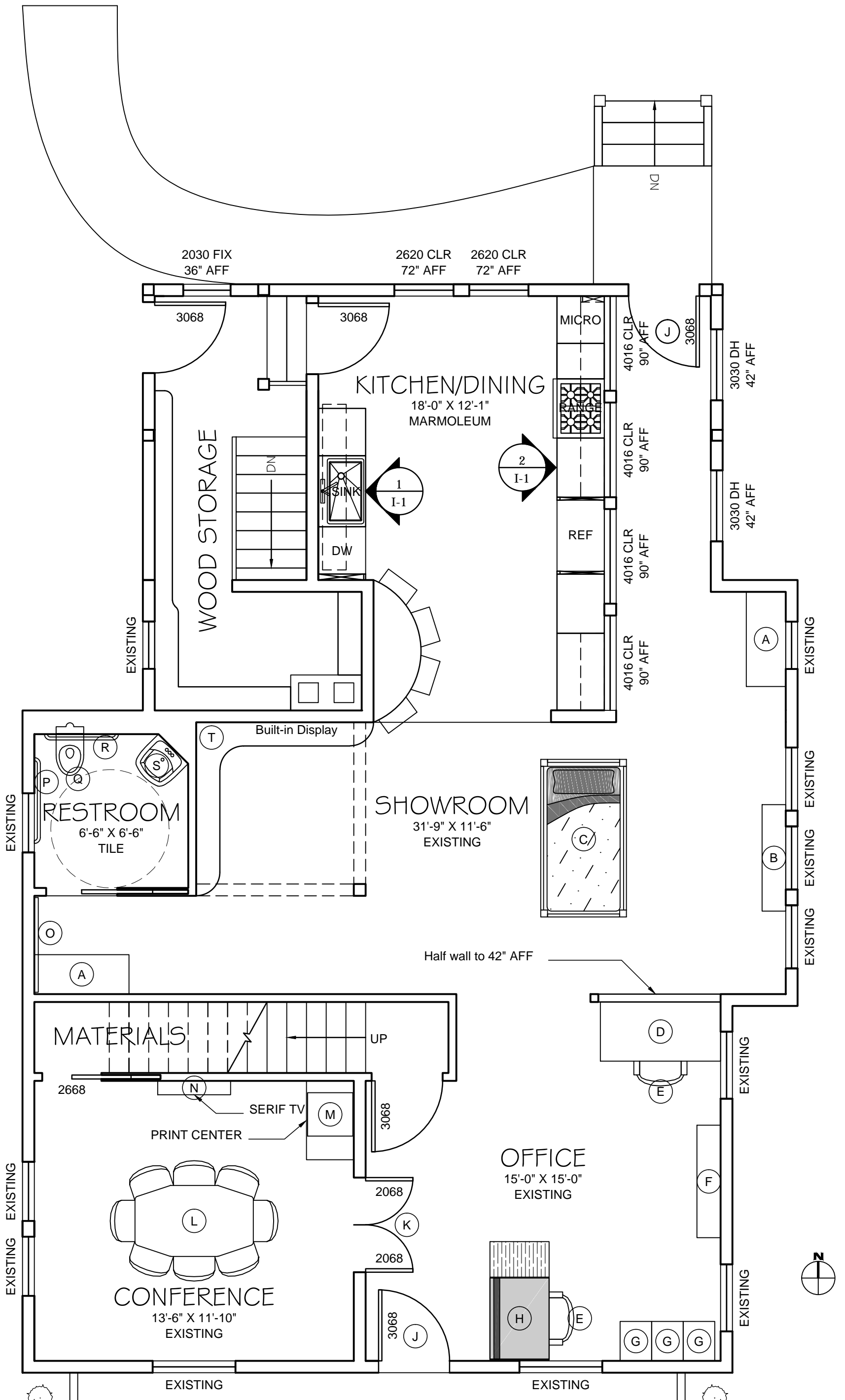
SHEET #:

GRANT KIESER  
ID 133 - SPACE PLANNING  
03/18/17 - FINAL PROJECT

SHEET TITLE

ATTIC AS BUILT  
1923 NE BROADWAY





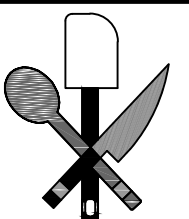
A-5

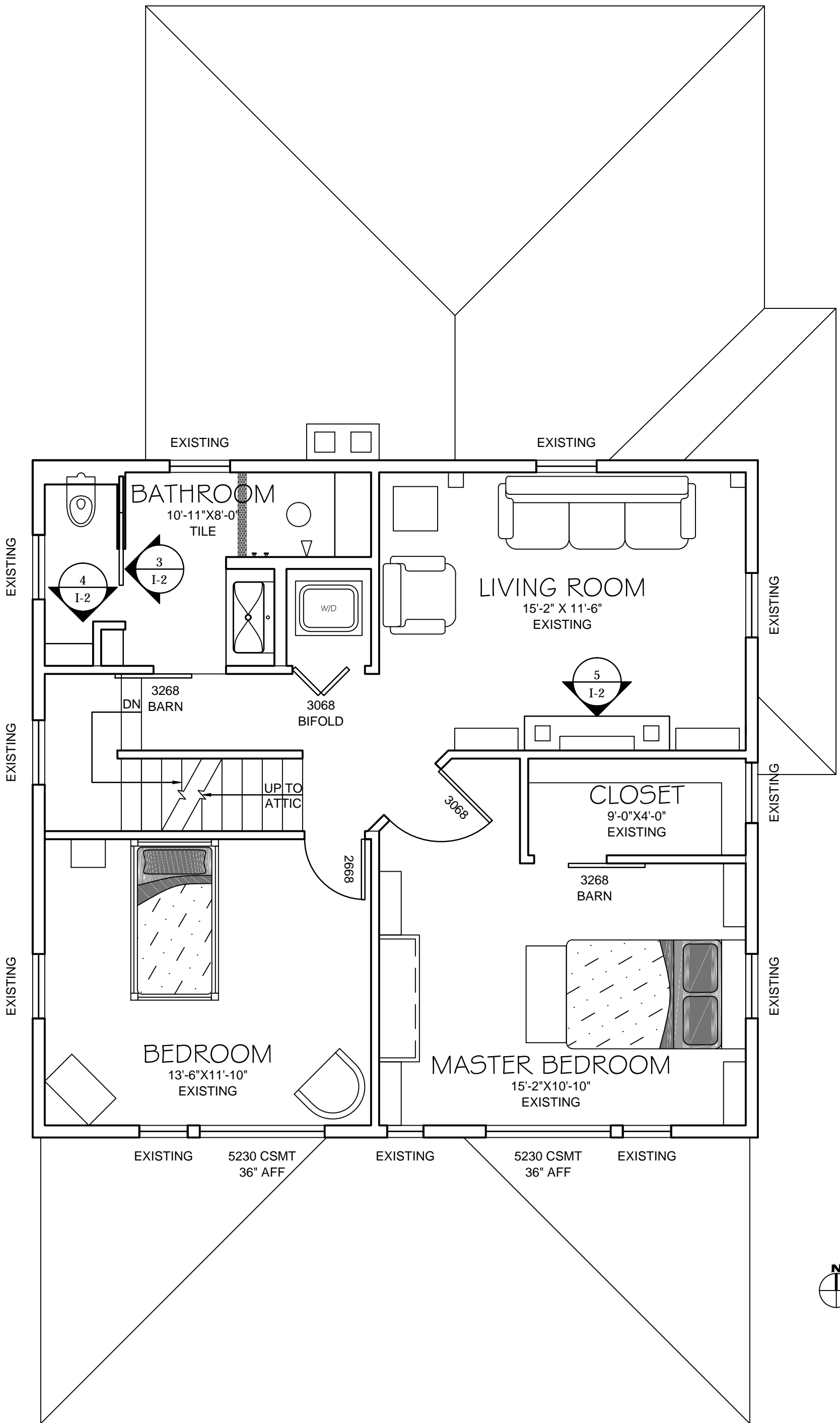
SHEET #:

GRANT KIESER  
 ID 133 - SPACE PLANNING  
 03/18/17 - FINAL PROJECT

SHEET TITLE

FIRST FLOOR RENOVATION  
 1923 NE BROADWAY





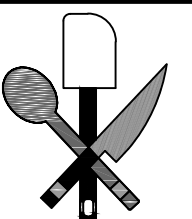
**A-6**

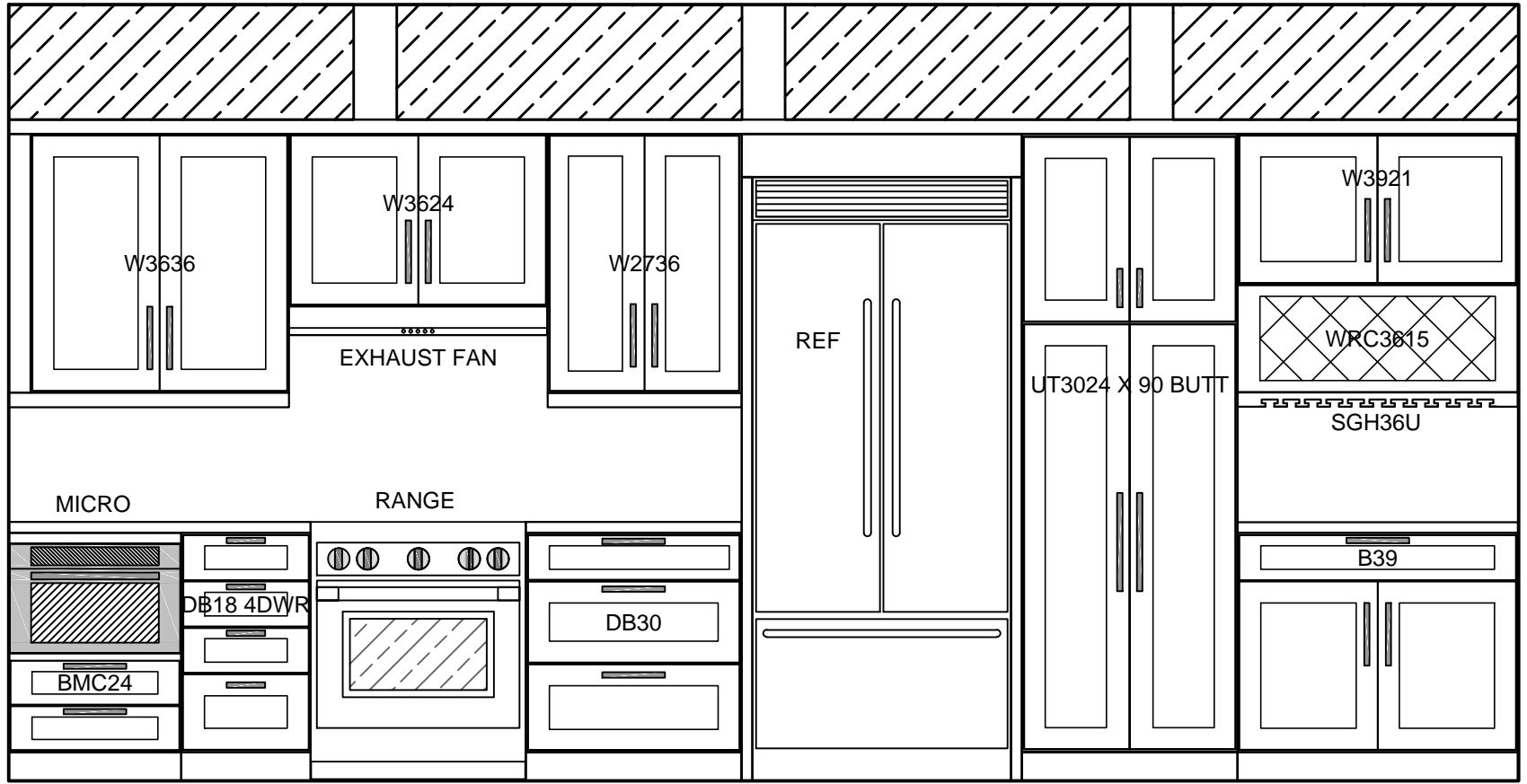
SHEET #:

GRANT KIESER  
 ID 133 - SPACE PLANNING  
 03/18/17 - FINAL PROJECT

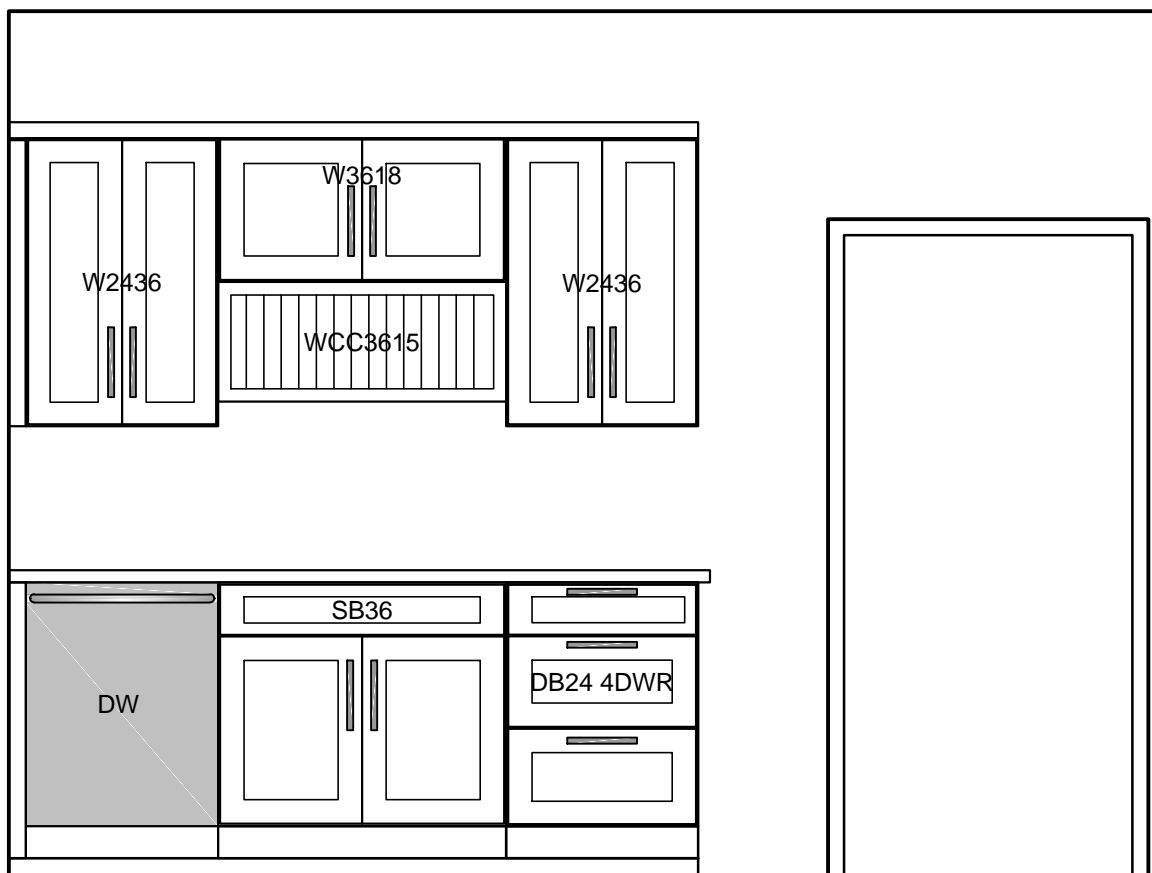
SHEET TITLE

**SECOND FLOOR RENOVATION  
 1923 NE BROADWAY**

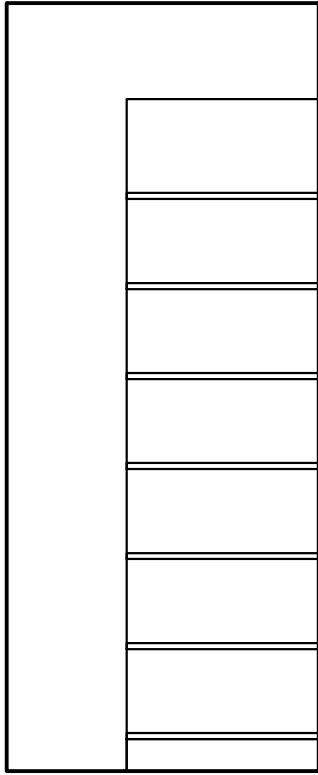




**1 EAST KITCHEN ELEVATION**  
Scale: 1/2"=1'-0"



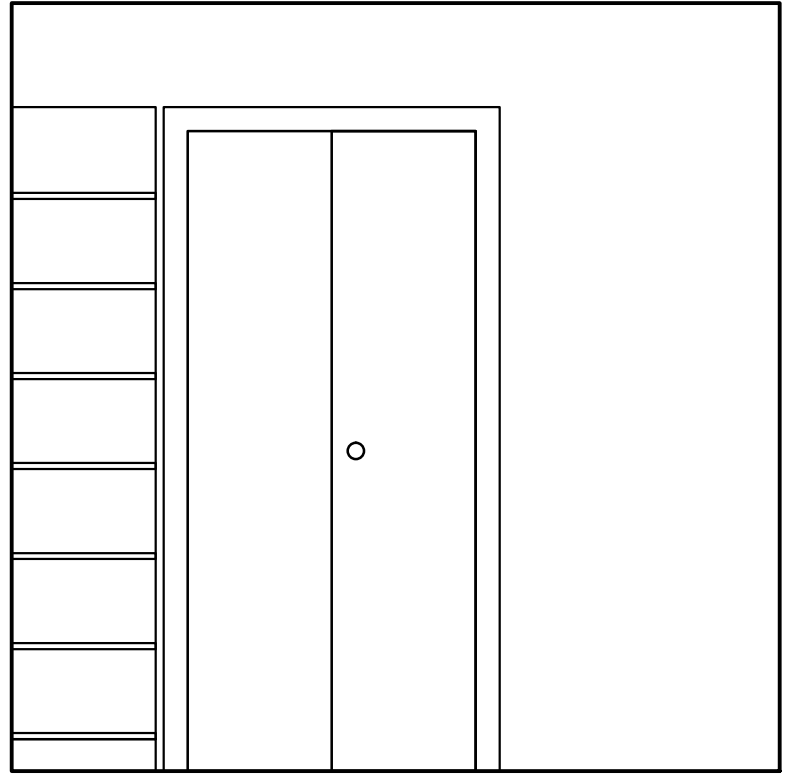
**2 WEST KITCHEN ELEVATION**  
Scale: 1/2"=1'-0"



4

**WATER CLOSET SHELVING**

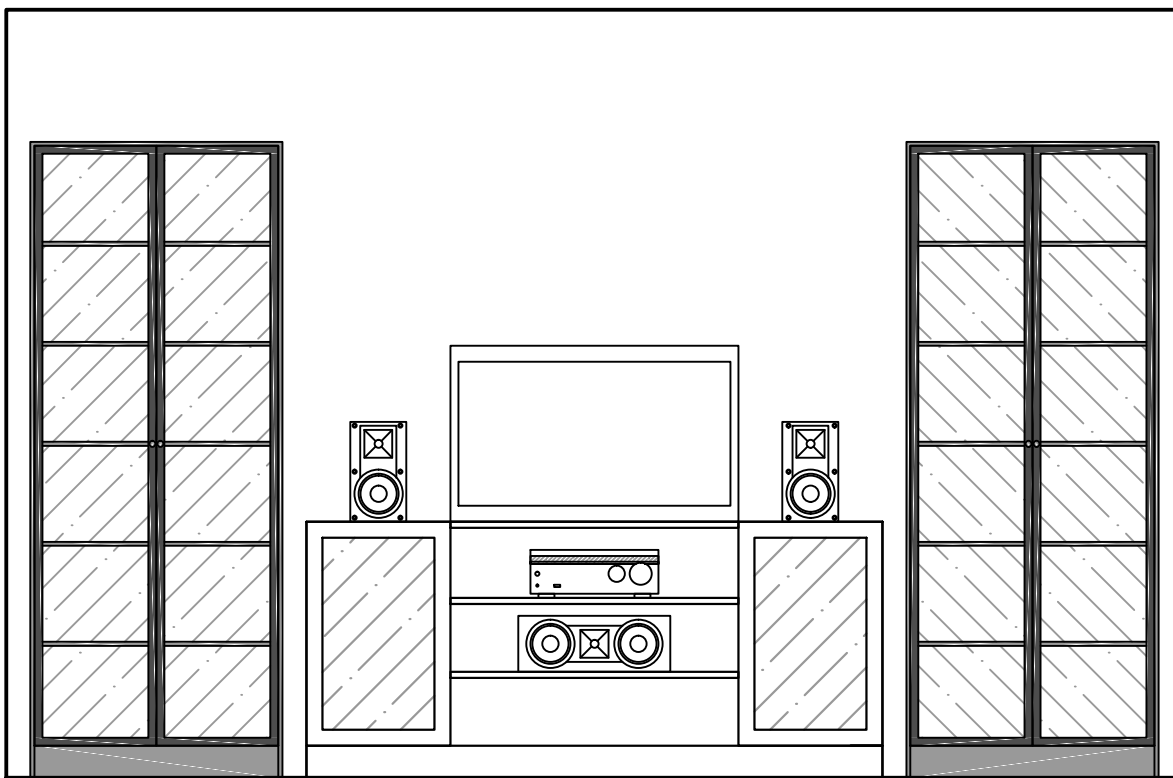
Scale: 1/2"=1'-0"



5

**MASTER BATH SHELVING**

Scale: 1/2"=1'-0"



5

**ENTERTAINMENT CENTER**

Scale: 1/2"=1'-0"

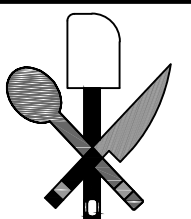
1-2

SHEET #:

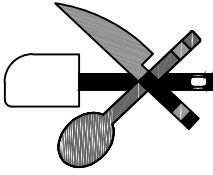
GRANT KIESER  
ID 133 - SPACE PLANNING  
03/18/17 - FINAL PROJECT

SHEET TITLE

**ELEVATIONS**  
**1923 NE BROADWAY**







Kitchen Cabinets			
Qty	SKU	Manufacturer	Description
1	RV-18PB-2 S	Rev-A-Shelf	Garbage Center
1	UT3024 X 90 BUTT	Wayfair	Pantry Cabinet
1	WRC3615	Wayfair	Wine Rack
1	WCC3615	Wayfair	Plate Rack
1	SGH36U	Wayfair	Stem Rack
2	RR84	Wayfair	Refrigerator Return
1	W3636	Wayfair	
1	W3624	Wayfair	
1	W2736	Wayfair	
1	W3921	Wayfair	
1	W3618	Wayfair	
2	W2436	Wayfair	
1	SB36	Wayfair	
1	DB24 4DWR WTCD	Wayfair	
1	B39	Wayfair	
1	DB30	Wayfair	
1	DB18 4DWR SDI	Wayfair	
1	BMC24	Wayfair	

Kitchen Appliances				
Qty	SKU	Manufacturer	Description	Callout
1	SMD2470AS	Sharp	Drawer Microwave	MICRO
1	GR304	Wolf	30" Range	RANGE
1	FHWC3640MS	Frigidaire	30" Vent hood	RANGE
1	BI-36UFD/S	Sub Zero	36" Refrigerator	REF
1	FFID2423RS	Frigidaire	24" Dishwasher	DW
1	441764	Blanco	33" sink	SINK
1	3310N	Aquabrax	Kitchen Faucet	SINK
19	3055	MARMOLEUM	Fresco Blue FLOORING	

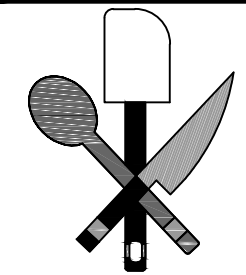
Bathroom				
Qty	SKU	Manufacturer	Description	Callout
1	R8742D3GBN	MOEN	42" GRAB BAR	P
1	CT418F(G)	TOTO	Toilet	Q
1	R8736D3GBN	MOEN	36" GRAB BAR	R
2	K-10270-4-G	Kohler	Bathroom faucet	S
1	0955.121EC	AMERICAN STANDARD	BATHROOM SINK	S
4	ULRT1224HD1PR	MARAZZI	FLOOR TILE	

Office/Conference/Showroom				
Qty	SKU	Manufacturer	Description	Callout
2		CUSTOM	BENCH	A
1		CUSTOM	HEADBOARD	B
1		CUSTOM	TWIN BED	C
1	501.067.73	IKEA	TABLETOP	D
1	002.612.95	IKEA	DESK DRAWERS	D
2	602.378.39	IKEA	TABLE LEGS	D
2	991.780.42	IKEA	OFFICE CHAIR	E
1		CUSTOM	BOOKCASE	F
3	CHIS0851CHIS0511	BELHAM	FILING CABINET	G
1	WSB60	ALVIN	DRAFTING DESK	H
1	1101-42	ALVIN	MAINLINE	H
1	VBC44-5	ALVIN	VYCO	H
8	991.776.22	IKEA	CONFERENCE CHAIR	I
1		CUSTOM	CONFERENCE TABLE	I
2	AN-2014	Texas Doors and Window	Entryway Doors	J
2	AN-2011	Texas Doors and Window	Conference Room Doors	K
1	UN40LS001A	SAMSUNG	40" SERIF TV	K
1	002.513.38	IKEA	TABLETOP	M
4	702.179.73	IKEA	TABLE LEG	M
1	M712n	HP	PRINTER	M
1		CUSTOM	AUTUMN BIRCH TREES	O
1		CUSTOM	BUILT-IN DISPLAY	T

SHEET TITLE  
**SCHEDULES**  
**1923 NE BROADWAY**

GRANT KIESER  
 ID 133 - SPACE PLANNING  
 03/18/17 - FINAL PROJECT

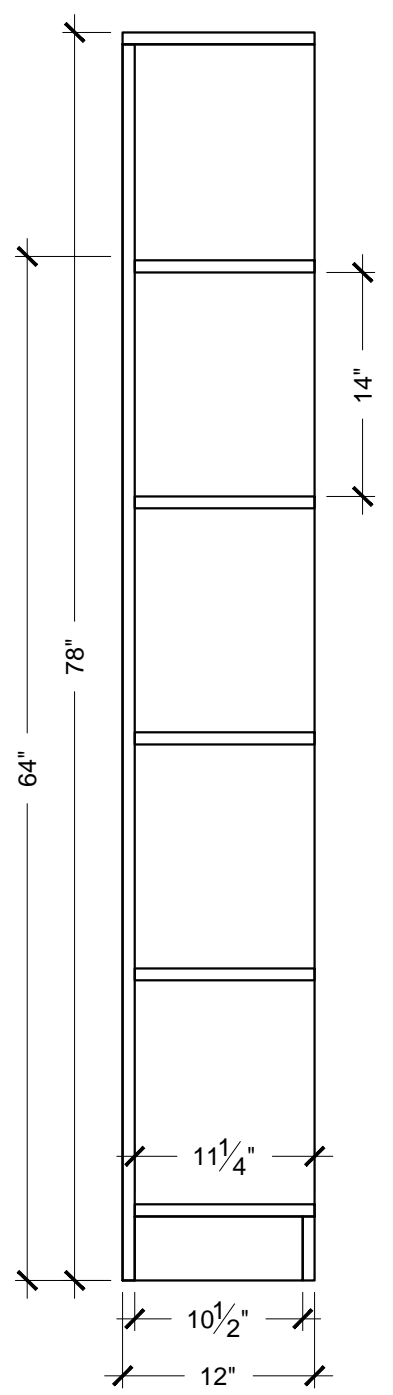
SHEET #:  
**S-1**



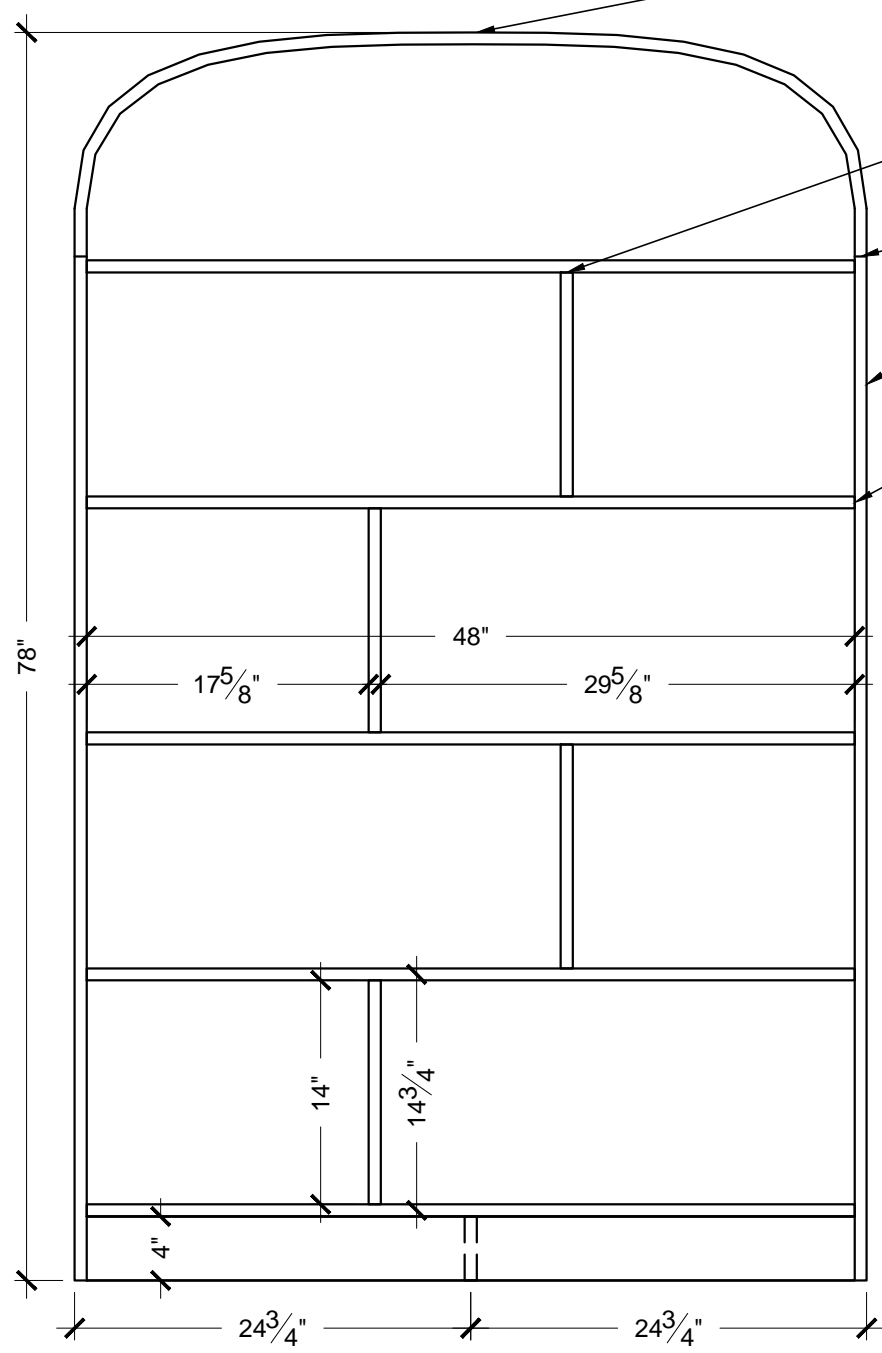
SHEET TITLE  
**ART NOUVEAU BOOKSHELF**  
**DIMENSIONS AND PLANS**

**BRIDGETOWN ARTISAN**  
**INTERIOR DESIGN**  
 GRANT KIESER  
 © 2017-03-05

SHEET NO:  
**F-1**



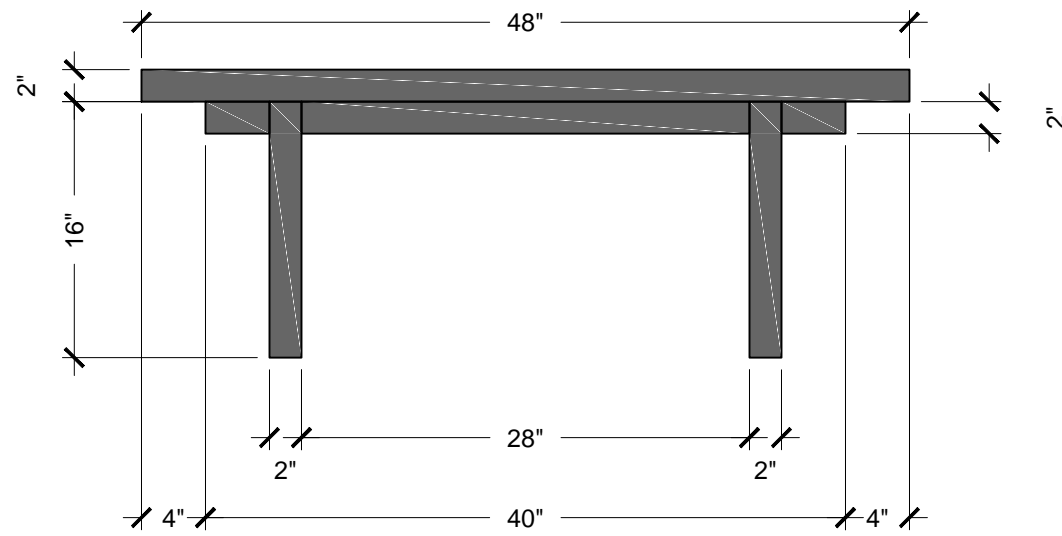
**1** SIDE VIEW  
 Scale: 1"=1'-0"



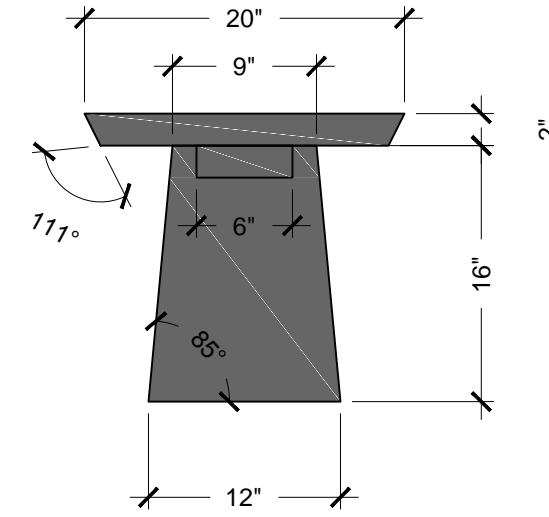
**2** FRONT VIEW  
 Scale: 1"=1'-0"

- STEAM BENT PLYWOOD
- TWO 3/8"X1-1/2" DOWELS TOP, BOTTOM AND BACK
- TWO 3/8"X1-1/2" DOWELS ON TOP
- 3/4" PLYWOOD CONSTRUCTION VENEERED WITH BIRD'S EYE ZEBRAWOOD
- TWO 3/8"X1-1/2" DOWELS LEFT AND RIGHT

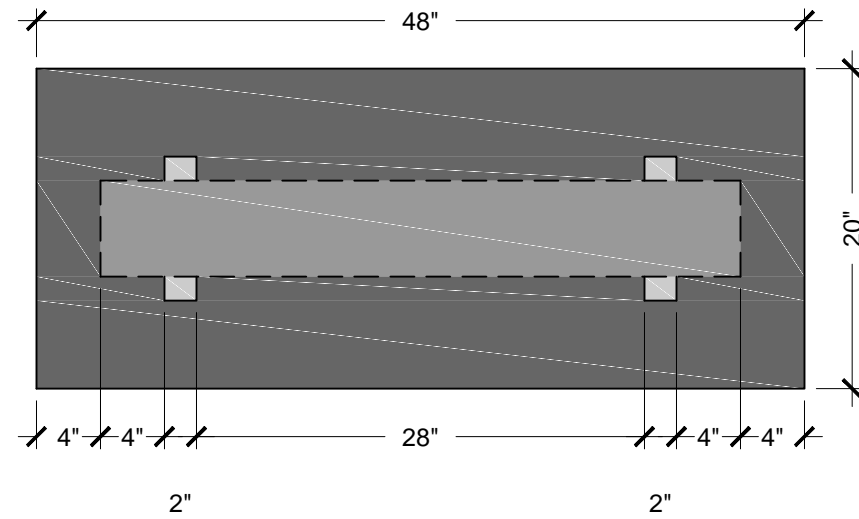
CUT LIST
ALL 3/4" PLYWOOD WITH VENEER FASTENED WITH 3/8 DOWEL PINS
5X 11-3/4"X48" SHELVES
4X 11-3/4"X14" SHELF SUPPORTS
3X 12"X64" SIDEWALLS AND TOP
1X 4"X48" TOEKICK
1X 4"X12" TOEKICK SUPPORT
1X 48"X78" BACK PANEL



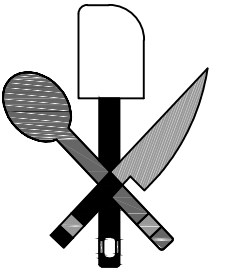
**1** FRONT DETAIL  
Scale: 1"=1'-0"



**2** SIDE DETAIL  
Scale: 1"=1'-0"



**3** TOP DETAIL  
Scale: 1"=1'-0"



SHEET TITLE

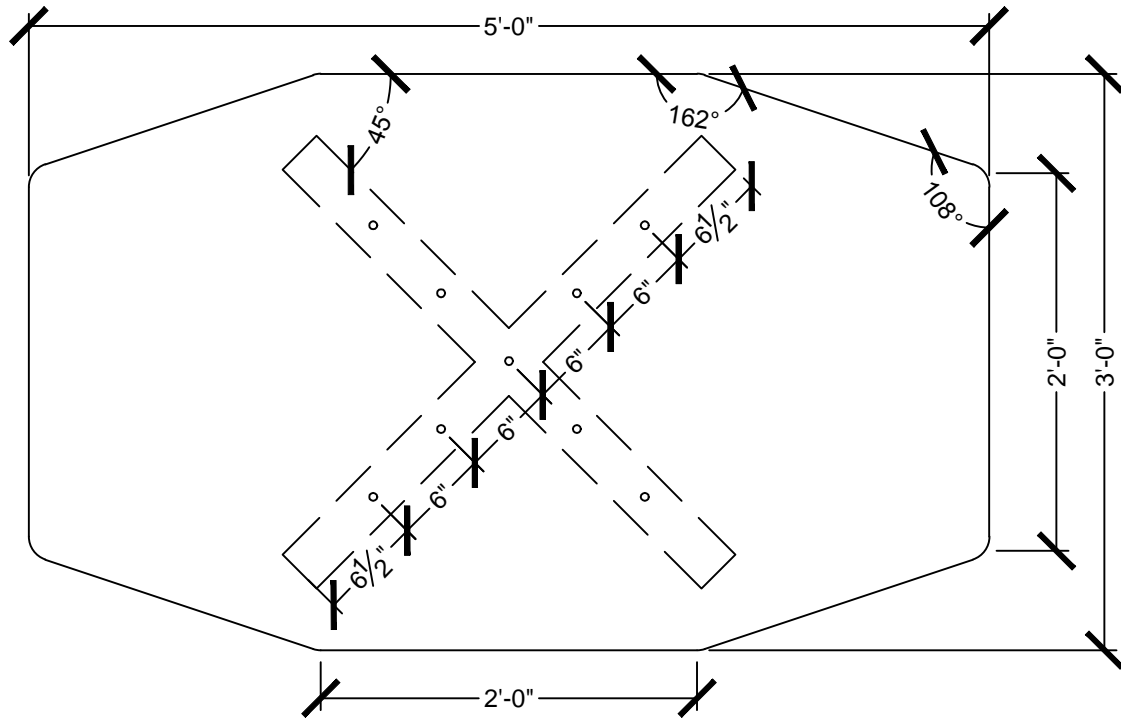
**CUSTOM BENCH  
DETAIL DRAWING**

**BRIDGETOWN ARTISAN  
INTERIOR DESIGN**

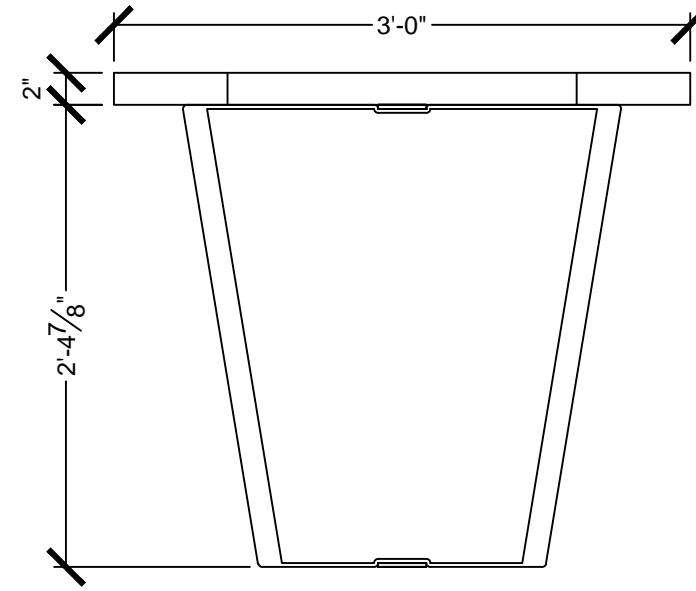
GRANT KIESER  
2017-03-05

SHEET NO:

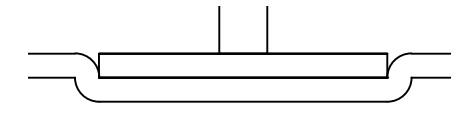
**F-2**



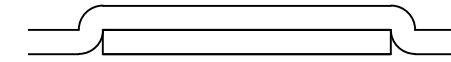
1 TOP VIEW  
Scale: 1"=1'-0"



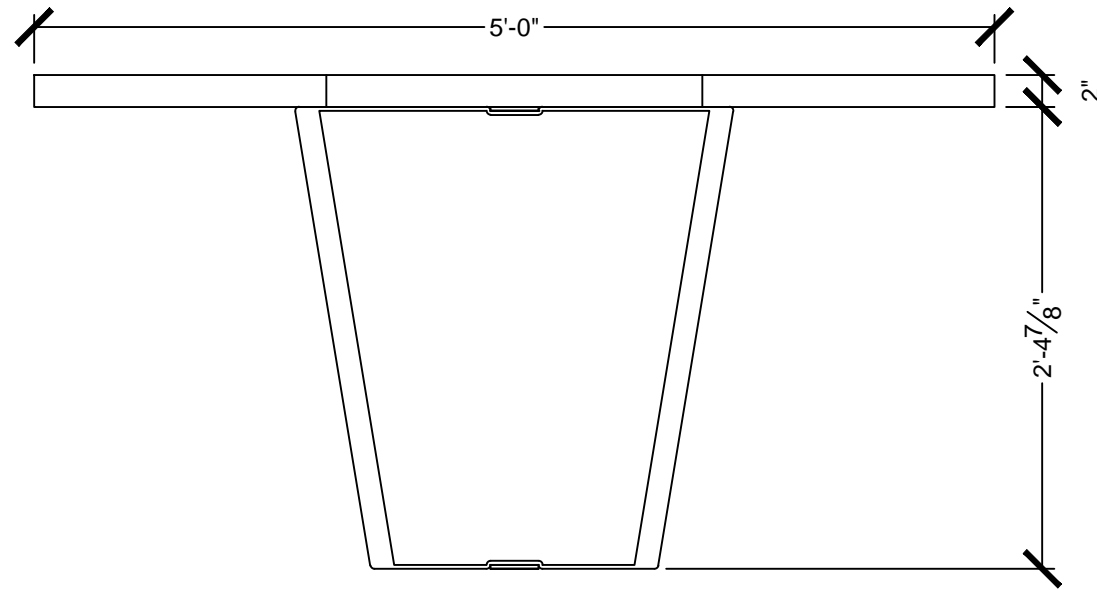
2 SIDE VIEW  
Scale: 1"=1'-0"



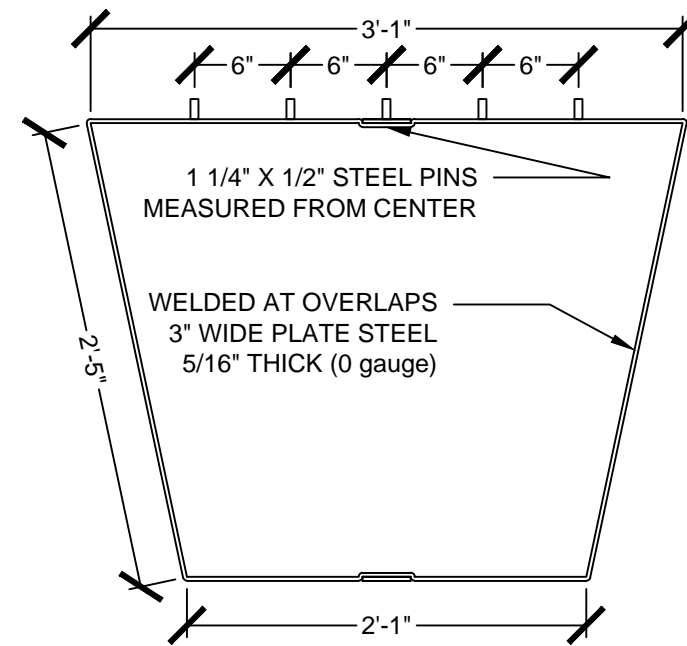
5 TOP DETAIL  
Scale: 6"=1'-0"



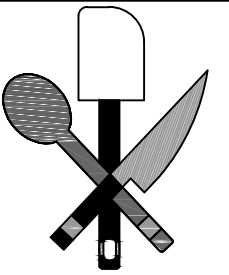
6 BOTTOM DETAIL  
Scale: 6"=1'-0"



3 FRONT VIEW  
Scale: 1"=1'-0"



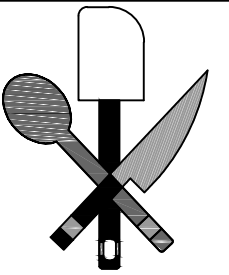
4 METALWORK DIMENSIONS  
Scale: 1"=1'-0"



SHEET TITLE  
**WOOD AND STEEL  
CONFERENCE TABLE**

**BRIDGETOWN ARTISAN  
INTERIOR DESIGN**  
GRANT KIESER  
5/20/2016

SHEET NO:  
**F-3**



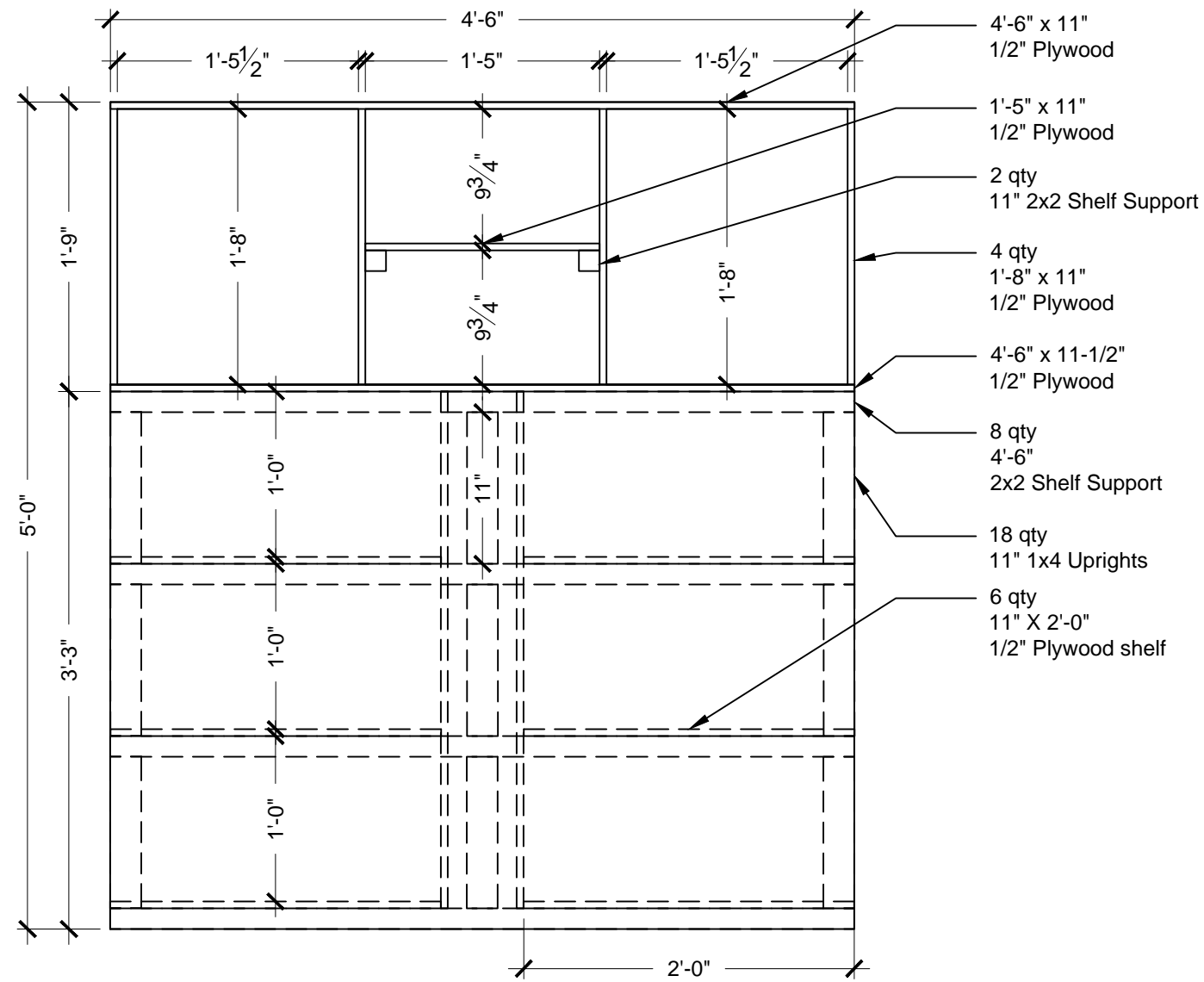
SHEET TITLE  
**CUSTOM FURNITURE  
 HEADBOARD DETAIL**

**BRIDGETOWN ARTISAN  
 INTERIOR DESIGN**

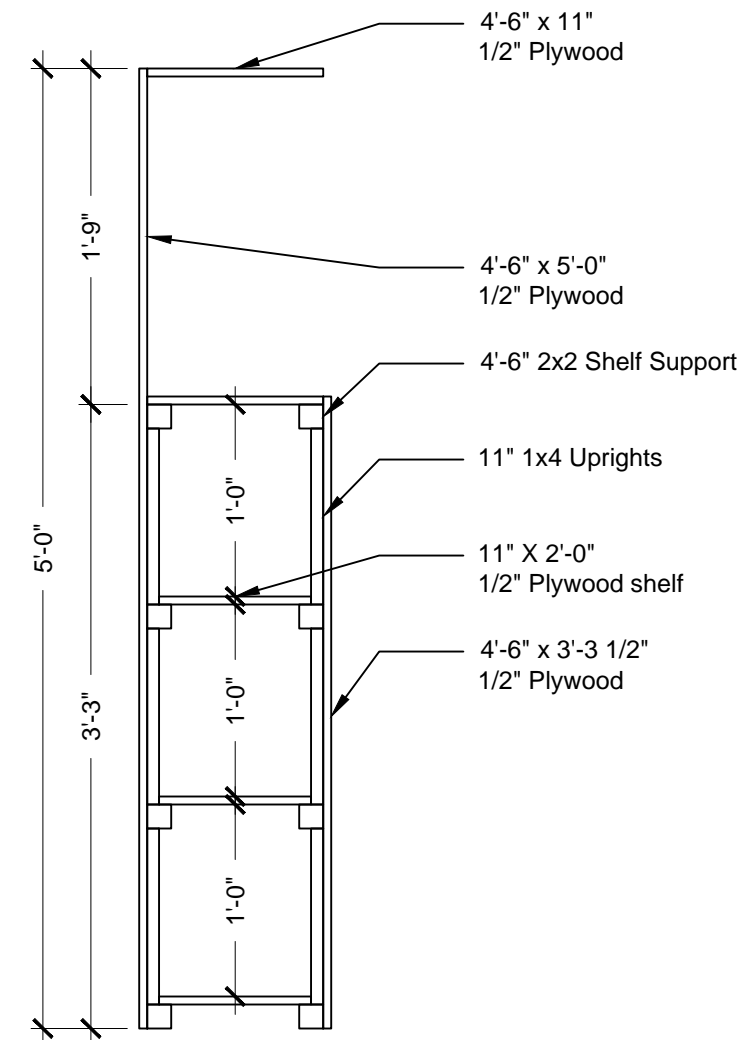
GRANT KIESER  
 2017-03-05

SHEET NO:

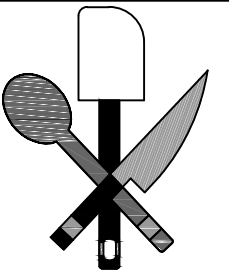
**F-4**



**1** FRONT VIEW  
 Scale: 1"=1'-0"



**2** SIDE VIEW  
 Scale: 1"=1'-0"



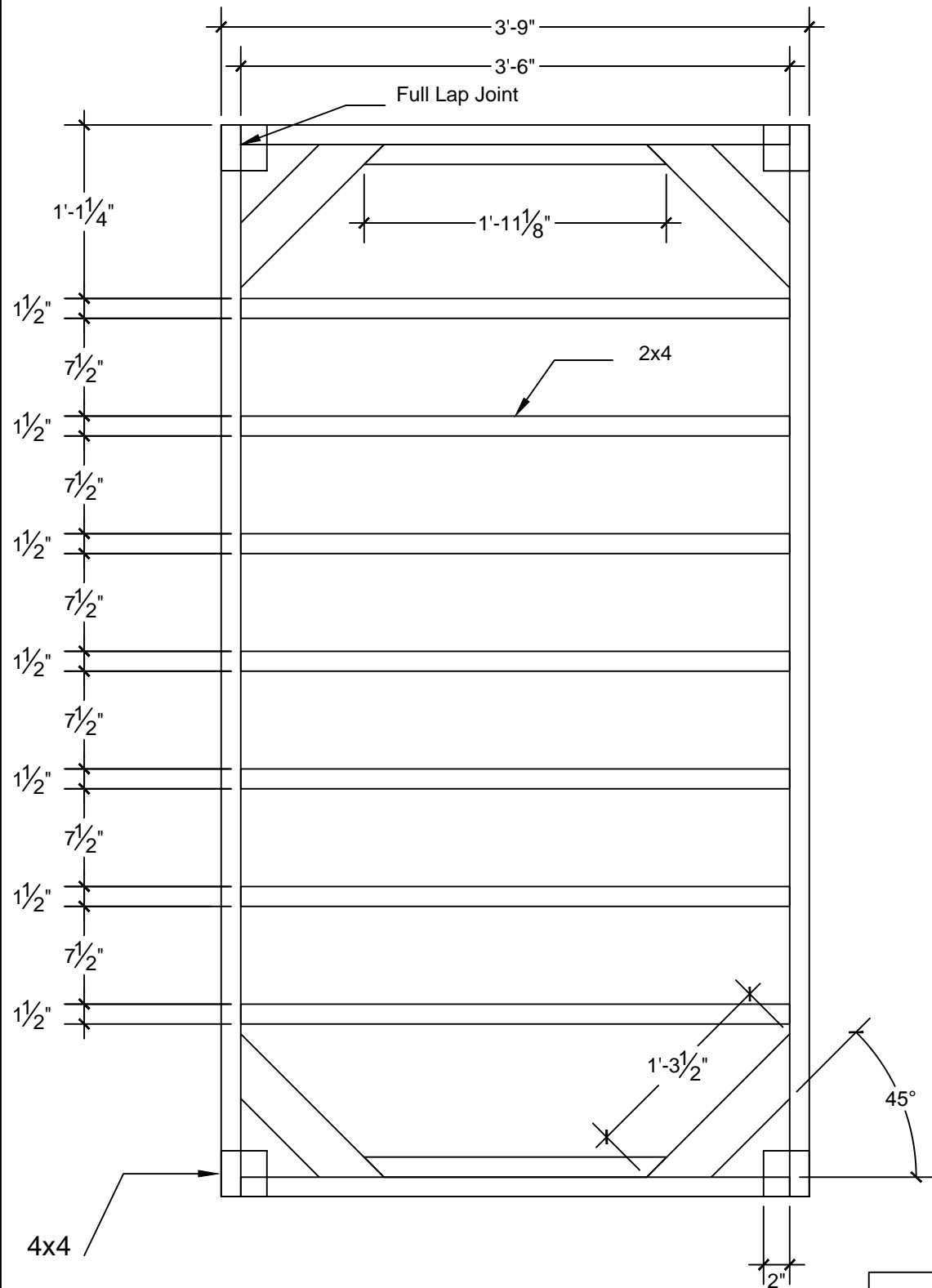
SHEET TITLE  
**TWIN BED DESIGN  
INCLUDING DIMENSIONS**

**BRIDGETOWN ARTISAN  
INTERIOR DESIGN**

GRANT KIESER  
2017-03-05

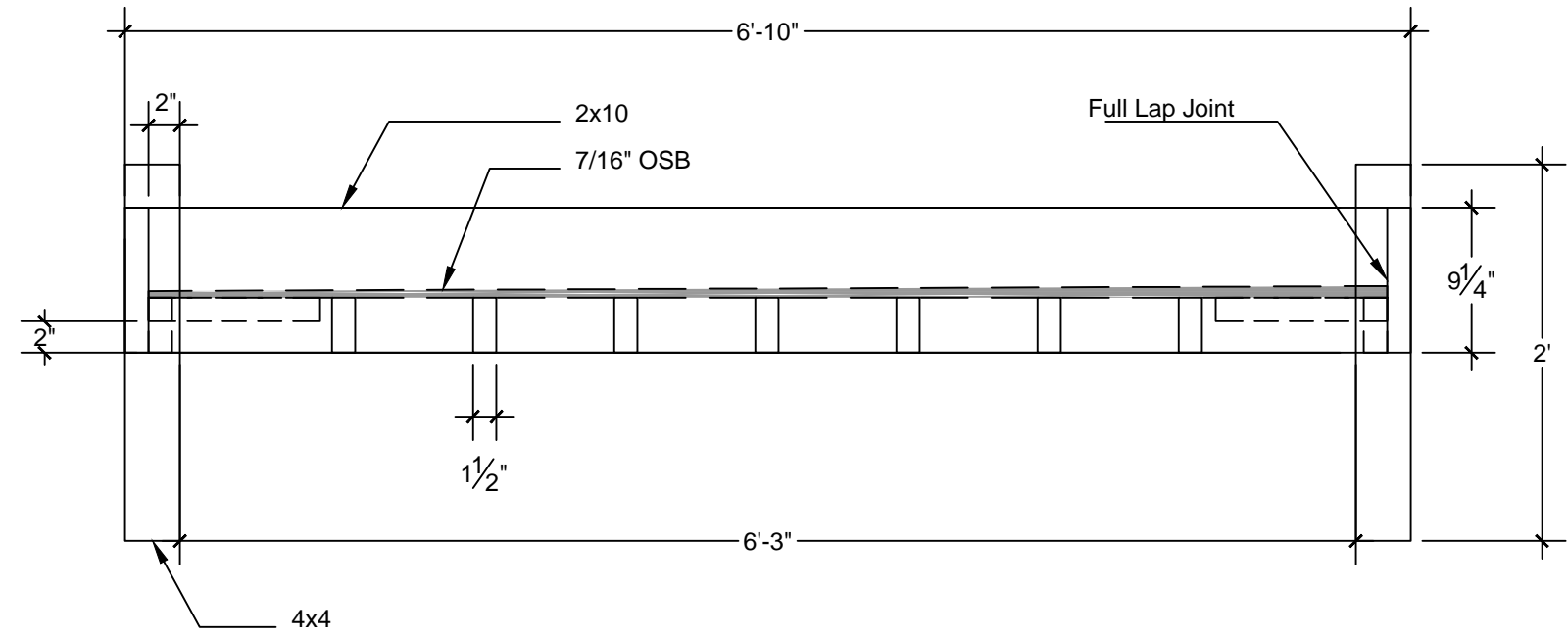
SHEET NO:

**F-5**

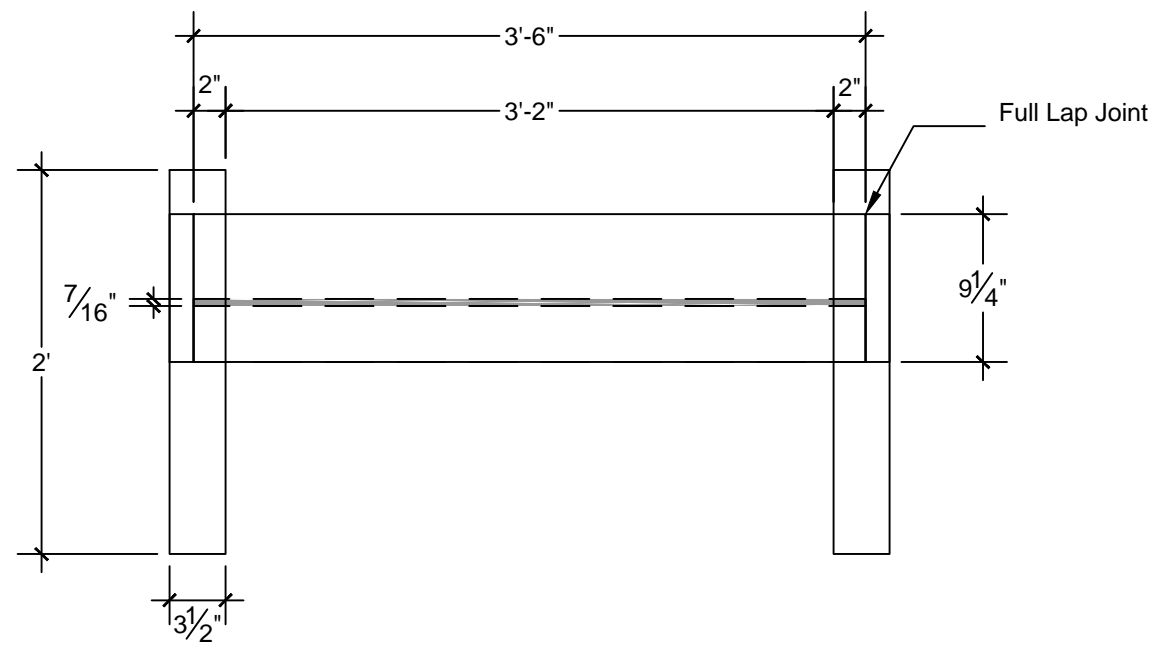


**1** TOP VIEW  
Scale: 1" = 1' - 0"

- 2x4: 8 qty 8' boards
- 2x10: 3 qty 8' Boards
- 4x4: 2 qty 8' boards
- 7/16" OSB: 1 qty 4'x8' sheet



**2** SIDE VIEW  
Scale: 1" = 1' - 0"



**3** FRONT VIEW  
Scale: 1" = 1' - 0"