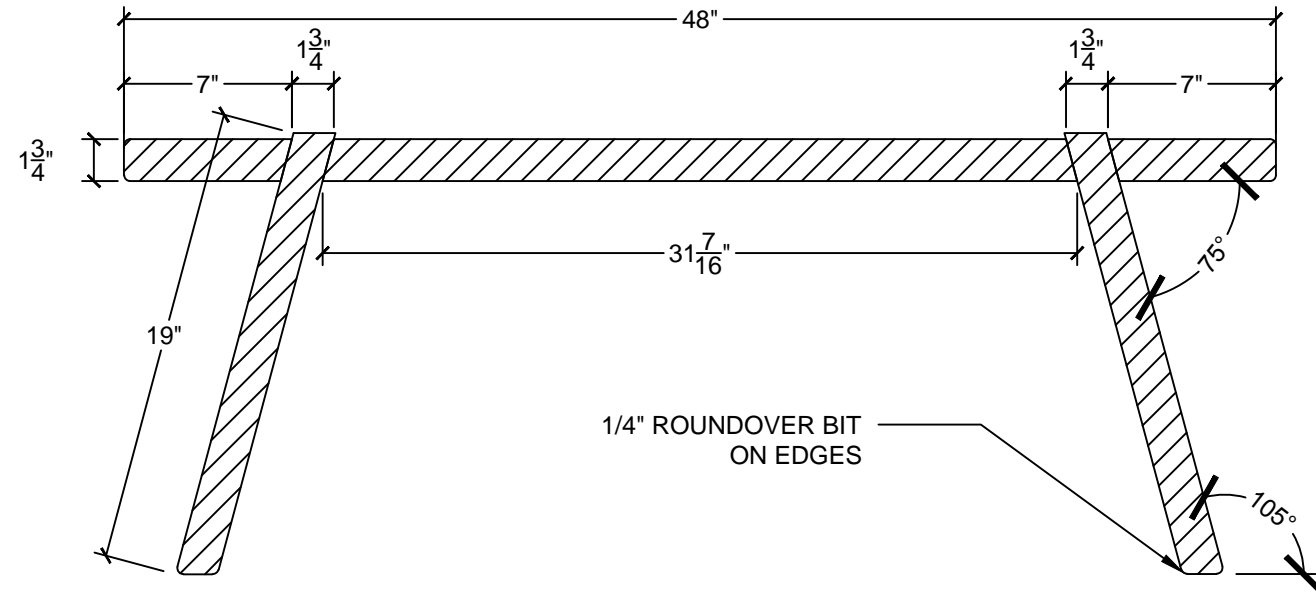
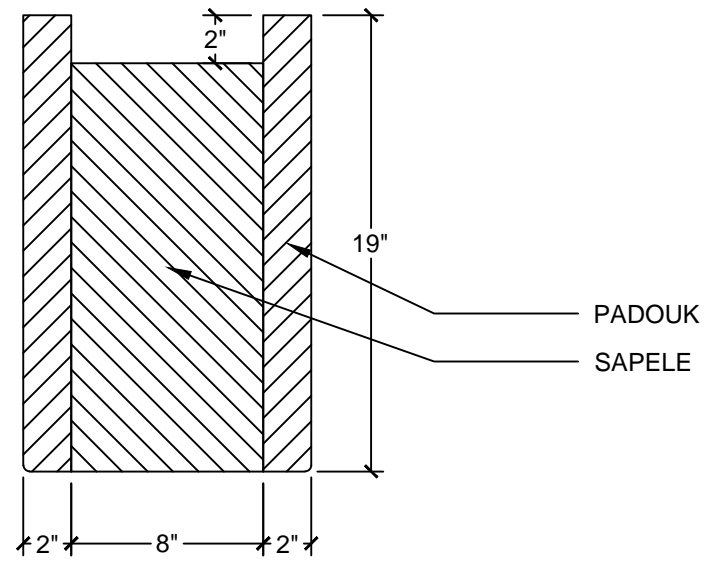


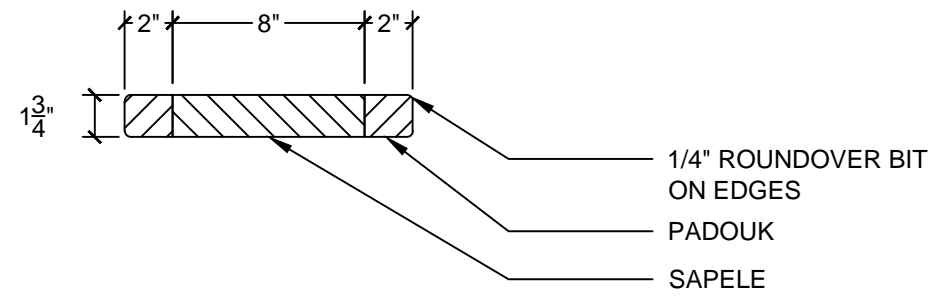
1 TOP VIEW
Scale: 1-1/2"=1'-0"



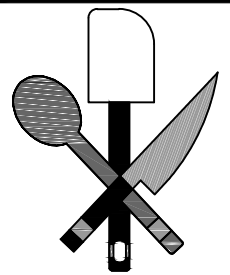
2 SIDE VIEW
Scale: 1-1/2"=1'-0"



3 FRONT VIEW OF LEG
Scale: 1-1/2"=1'-0"



4 END VIEW OF SEAT
Scale: 1-1/2"=1'-0"



SHEET TITLE
**KNOCK APART BENCH
SAPELE AND PADOUK**

**BRIDGETOWN ARTISAN
INTERIOR DESIGN**
GRANT KIESER
4/6/2017

SHEET NO:
1