

**ART NOUVEAU BOOKSHELF
DIMENSIONS AND PLANS**

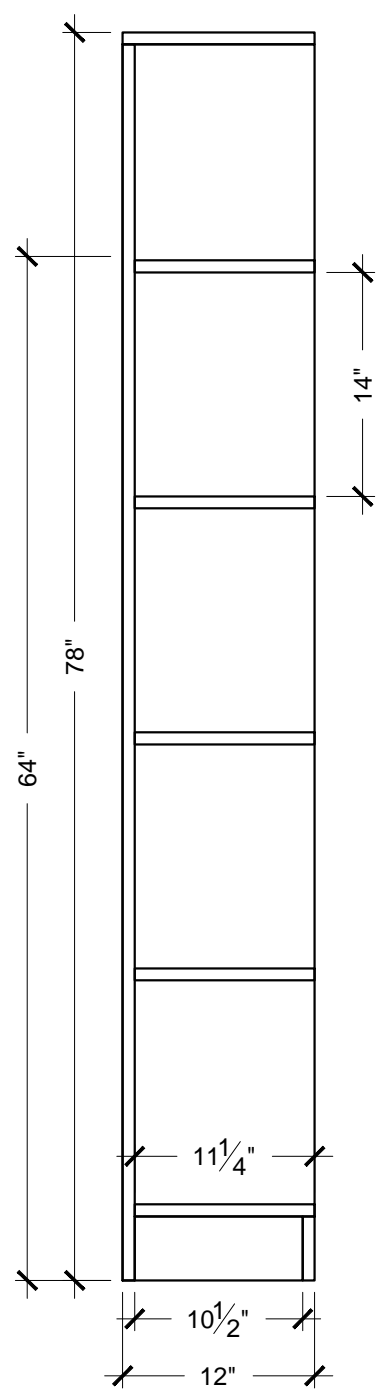
SHEET TITLE

**BRIDGETOWN ARTISAN
INTERIOR DESIGN**

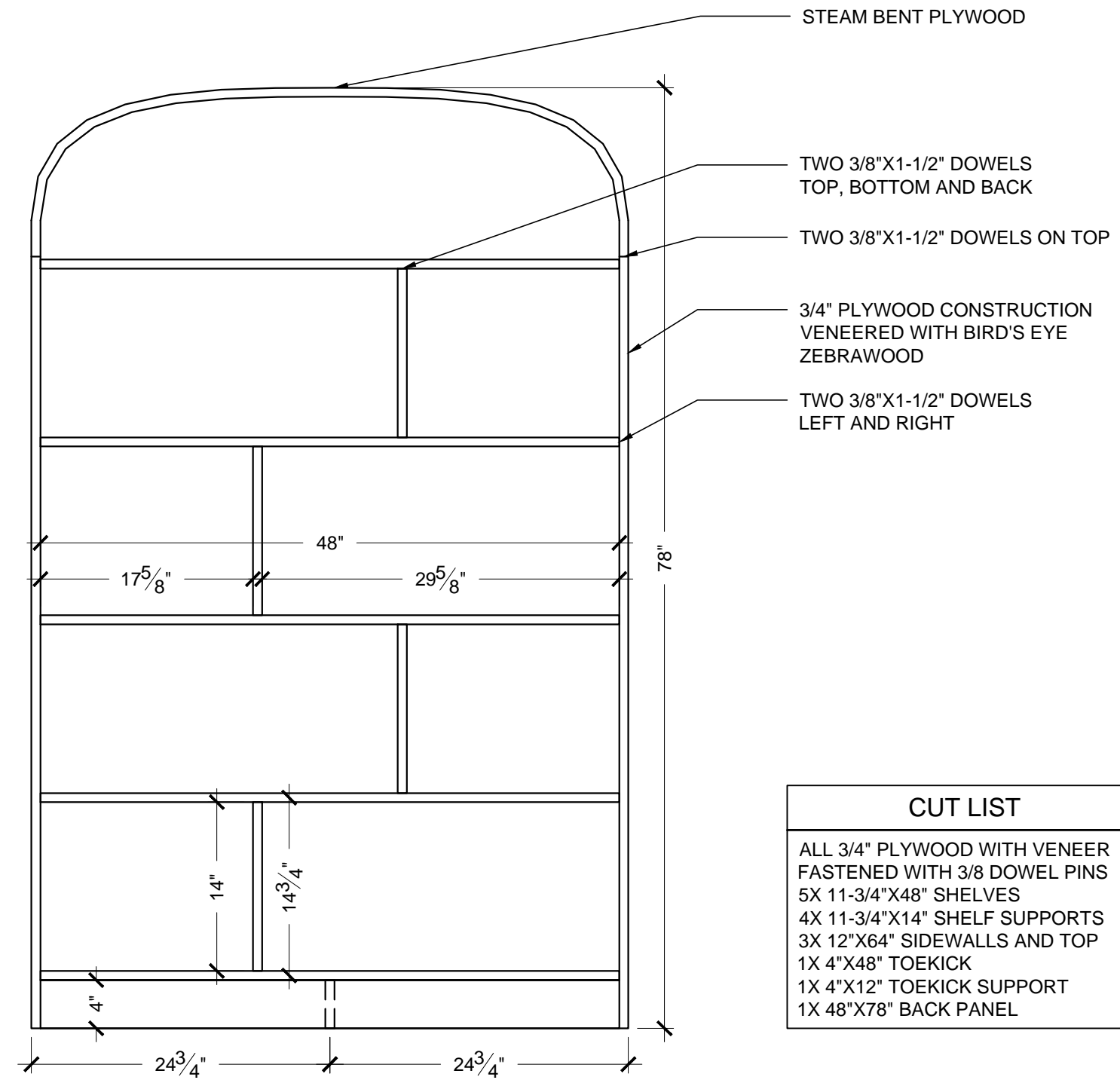
GRANT KIESER
© 2017-03-05

SHEET NO:

1



1 SIDE VIEW
Scale: 1"=1'-0"



2 FRONT VIEW
Scale: 1"=1'-0"

CUT LIST
ALL 3/4" PLYWOOD WITH VENEER FASTENED WITH 3/8 DOWEL PINS
5X 11-3/4"X48" SHELVES
4X 11-3/4"X14" SHELF SUPPORTS
3X 12"X64" SIDEWALLS AND TOP
1X 4"X48" TOEKICK
1X 4"X12" TOEKICK SUPPORT
1X 48"X78" BACK PANEL